



**Elysium** **MONITOR**  
PCC-27180VA-CV **27"**

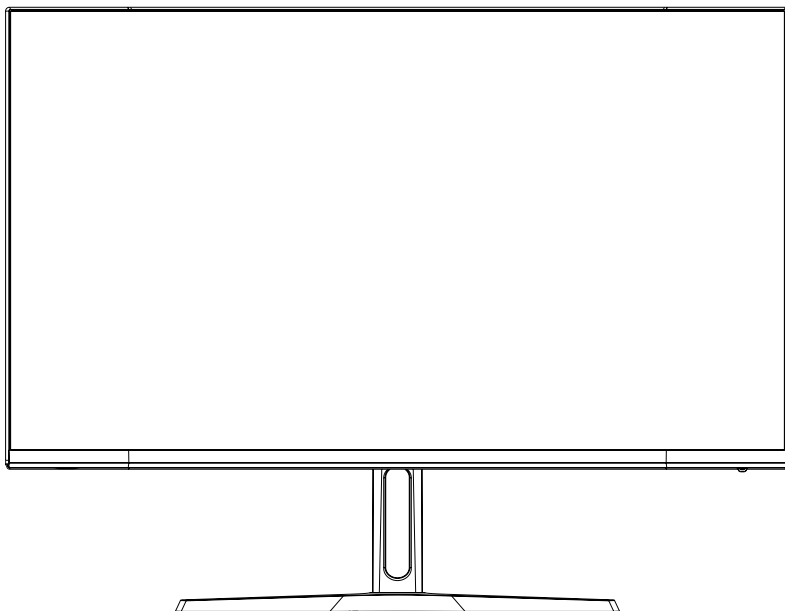


MANUAL DE USO · MANUAL D'ÚS · MANUALE D'USO  
MANUEL DE 'UTILISATEUR · BENUTZERHANDBUCH  
MANUAL DE INSTRUÇÕES



# *PcCom*

## **User Manual**



### **Monitor gaming 27"**

VA FHD 180Hz Adaptive Sync Curva

### **PCC-27180VA-CV**

Before using this machine, please read this manual carefully and retain for future reference.  
Colour and appearance may vary depending on specific product model.  
Specifications are subject to future changes to improve performance without notice.



Table of contents

---

Warning! Important Safety Instructions..... 5

Accessories..... 7

Installation of the base..... 7

Adjust The Angle..... 7

Cable connection ..... 8

Panel control..... 8

Using The OSD Menu ..... 9

Other ..... 11

Help..... 11

License..... 11

**WARNING! Important safety instructions****WARNING****RISK OF ELECTRIC SHOCK DO NOT OPEN**

Caution: Do not remove the cover to reduce the risk of electric shock.

There are no user serviceable parts inside. Make sure that repairs are carried out by service personnel.



This symbol means that dangerously high voltage is present inside. Any form of contact with any part inside the product is dangerous.



This symbol reminds you of important instructions that come with the operation and maintenance of this product.

- Slots and holes in the chassis and at the rear and bottom are designed to provide necessary ventilation.

Do not block or cover these slots and holes in order to ensure the operability of this machine and to prevent it from overheating.

Do not cover slots and holes with cloth or other materials.

Do not place the machine on beds, sofas, carpets or other similar surfaces to avoid clogging of said slots and holes. Do not place this machine in restricted spaces (eg bookcases or built-in cupboards) unless proper ventilation is provided. A gap of 10 cm should be maintained between the product and the wall.

- Do not place this machine near or over electric heaters or radiators, or in places exposed to direct sunlight.

- Do not place heat-generating objects (such as candles, ashtrays, incense, flammable gas or explosive substances, etc.) near the product.

- Do not place containers filled with water on this machine as this may result in a fire or electric shock hazard.

- Do not expose the product to oily substances or chemical agents, as this may cause corrosion of the product casing.

- Do not expose this machine to rain or near water (e.g. near a bathtub, sink, kitchen sink, or laundry sink, in a wet basement, or near a swimming pool).

If the machine gets wet accidentally, please unplug the power cord or power adapter immediately, and then promptly contact an authorized dealer for further assistance. When cleaning the monitor, be sure to use a dry, soft cloth that does not contain volatile substances. Before cleaning, be sure to unplug the power cord or power adapter.

- Do not overload wall outlets, extension cords, or integral convenience receptacles as this may result in fire or electric shock.

- The power cord or power adapter should be placed in a location where it will not be stepped on or squeezed by objects above or next to it, and special attention should be paid to the wires at the plug, at the integral convenience receptacles and at the outlet of the machine.

- To better protect this machine in lightning weather or when it is left unattended or unused for a long time, please unplug its power cord or power adapter, and disconnect the cable system.

This prevents damage to the machine during a lightning storm or in the event of a power surge on the power line. ---- Before connecting the AC power cord to the power adapter or monitor power interface (subject to the actual product style), please make sure that your local power supply meets the requirements of power adapter or monitor input voltage. \*Be sure not to insert any metal objects into the holes of this machine, otherwise it may cause a danger of electric shock.

- Do not touch the inside of this machine to prevent electric shock. Only qualified technicians are allowed to open the cover of this machine.

- Make sure that the power cord plug or power adapter can be securely inserted into the outlet. When disconnecting the power cord, make sure to firmly grasp the power plug or power adapter and unplug it from the outlet.

- Do not touch the power cord or power adapter with wet hands.

- If the machine does not operate normally, especially if it emits any unusual sound or smell, unplug the power outlet immediately and contact an authorized dealer or service center for further assistance.

## WARNING! Important safety instructions

- If you plan to leave the monitor unused for an extended period of time, or if you are going to be away from home (especially if there are children, the elderly, or people with disabilities left alone), be sure to unplug the power plug or power adapter from the outlet.

Accumulated dust may cause sparks and heat from the power cord or power adapter or cause the insulation of the power cord or power adapter to deteriorate, resulting in electric shock, leakage or fire.

- After the monitor is moved from a low temperature place to a warm area, it should be placed for a period of time before powering on, so that the condensation inside the monitor can be fully dissipated and dried.
- The power supply voltage will be marked on the back of the monitor, DC 12V.
- If you plan to install this product in dusty, high or low temperature, high humidity, chemical-containing environments and 24-hour use locations (such as airports or train stations, etc.), be sure to contact an authorized service center for further assistance. Otherwise, the monitor may be severely damaged.
- Be sure to use only properly grounded plugs and sockets. Poor grounding may result in electric shock or equipment damage. (for Class I equipment only)
- To disconnect the power from the device, the power cord or power adapter plug must be unplugged from the machine, so the power cord or adapter plug should be easily accessible.
- Children are prohibited from climbing on this product.
- Keep the accessory parts out of the reach of children.
- Do not install this product in an unstable location, such as a wobbly shelf, sloping floor, or a location subject to external vibration.
- Do not drop the product or subject it to shock. If the product is damaged, please disconnect the power supply and contact the service center in time for further assistance.

## CAUTION

Risk of explosion if the battery is replaced by an incorrect type.

- Replacement of a battery with an incorrect type that can defeat a safeguard (for example, in the case of some lithium battery types);
- Disposal of a battery into fire or a hot oven, or mechanically crushing or cutting of a battery, that can result in an explosion; \* leaving a battery in an extremely high temperature surrounding environment that can result in an explosion or the leakage of flammable liquid or gas;
- A battery subjected to extremely low air pressure that may result in an explosion or the leakage of flammable liquid or gas.



## RECYCLING

This product bears the selective sorting symbol for Waste electrical and electronic equipment (WEEE). This means that this product must be handled pursuant to European directive 2012/19/EU in order to be recycled or dismantled to minimize its impact on the environment.

User has the choice to give his product to a competent recycling organization or to the retailer when he buys a new electrical or electronic equipment.

Technical Specifications:

Operating temperature: -10°C-35°C

This equipment complies with radiation exposure limits set forth for an uncontrolled environment.

This equipment should be installed and operated with minimum distance 20cm between the radiator & your body.

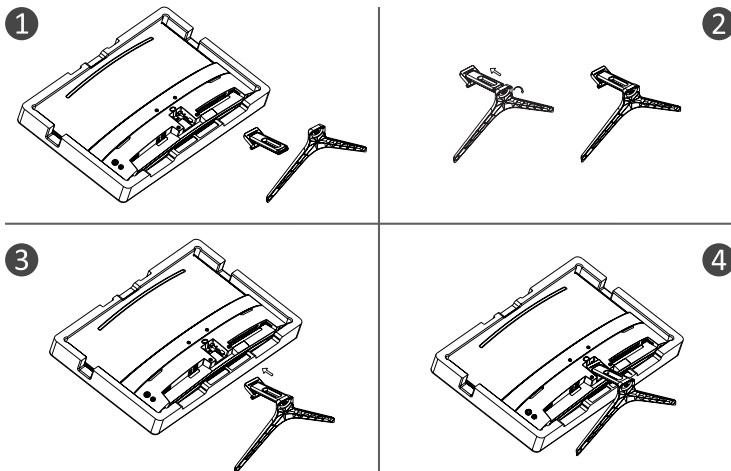
## Accessories

- Please check if all items are included in your monitor set, if there are missing items; please contact your dealer in time.
- Item color and shape may vary by model.
- The cables provided may vary depending on the product purchased.

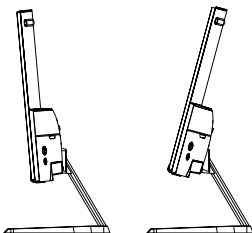
|               |                   |  |
|---------------|-------------------|--|
| <b>Manual</b> | Quick start guide | Warranty Card  |
| <b>Cable</b>  | HDMI Cable        | Applies only to monitors with HDMI ports.<br>Not all models come with an HDMI cable, you can purchase this accessory separately. |
| <b>Others</b> | Adapter           |  |

## Installation of the base

(\*The functions of the monitor may vary depending on the model, the actual product shall prevail)



## Adjust the angle






1. Drawings are for reference only and please refer to the actual monitor.
2. The angle of the screen can be adjusted forward 5° backward 15° for a comfortable.
3. Be careful not to touch or press the screen area when adjusting the angle of the monitor.

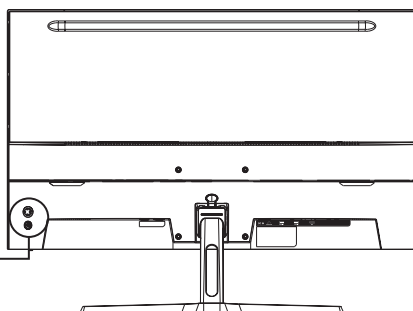
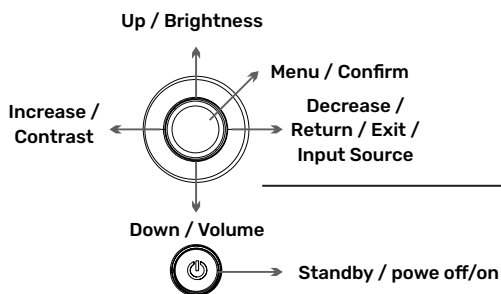
## Cable connection

The configuration information on the back of the monitor varies by product model. Read the following contents before connecting the product.

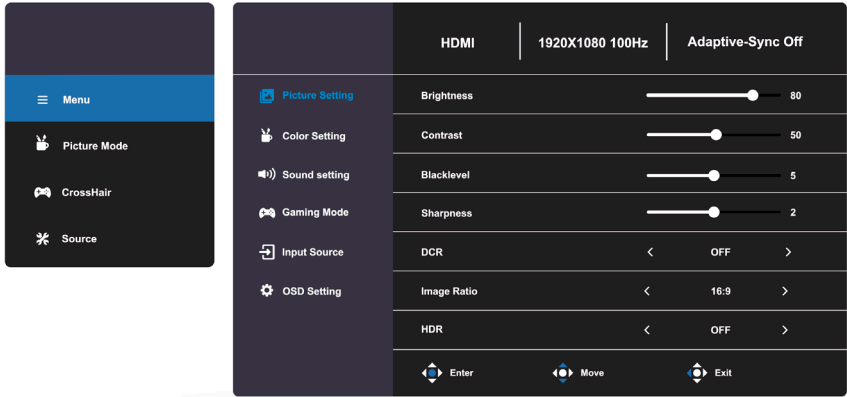
1. Before connecting the product, be sure to check the two ports of the supplied signal cable, as well as the shape and position of the ports on the product and external devices.
2. Before connecting the product, be sure to remove the power cord or power adapter from the product and external devices to prevent damage to the product due to short circuits or overcurrent. 3. After all signal cables are properly connected, connect the power cord or power adapter back to the product and external devices.
4. After completed the connection, be sure to read the manual to familiarize yourself with the product features, precautions, and other information needed to use the product properly.

|  |   |  |   |
|--|---|--|---|
|  <p><b>HDMI</b></p> | Using a HDMI cable to connect the product's HDMI port to the PC's HDMI OUT port.    |  <p><b>EARPHONE</b></p> | EARPHONE OUT: Use a headset plug to connect to the EARPHONE OUT jack.   |
|  <p><b>DP</b></p>   | Please link DP cable of LED to the port named DP IN at the back of the LED Monitor. | <b>DC IN</b>   | Use the adapter to access the port, the power supply of this interface only supports DC 12V, use the matching adapter to access, please consult the authorized service center for the non-original adapter. |

## Control panel







1. To view the OSD menu, press the center button down to enter the OSD menu.
2. Press the up/down keys to move the configuration options, adjust them with the left and right keys, and press the center key down to confirm.
3. To return to the previous menu and select a menu item, press the button to the left.
4. To exit the OSD menu, press the button to the left until you exit.

| Menu                 | Sub-Menu           | Options  | Description                |
|----------------------|--------------------|--|----------------------------|
| Picture Config.Image | Brightness         | 0-100  | Adjust display brightness  |
|                      | Contrast           | 0-100  | Adjust display contrast    |
|                      | Blacklevel         | 0-10   | /                          |
|                      | Sharpness          | 0-4  | /                          |
|                      | DCR                | Off/On   | Turn DCR function On / Off |
|                      | Image Ratio        | Auto, 16:9, 4:3  | Set aspect ratio           |
|                      | HDR                | Off/On   | Turn HDR function On / Off |
| Colour Settings      | Picture Mode       | Energy Star/ Standard / Movie / Office / FPS/ RTS/ RACING/SRGB | Select Picture Mode        |
|                      | Gamme              | Off / 1.8 / 2.0 / 2.2 / 2.4                                    |                            |
|                      | Low Blue Mode      | Off / Weak / Middle/ Strong                                    | Adjust Display Low Blue    |
|                      | Colour Temperature | Warm / User / Cool / Normal                                    | Adjust Colour Temperature  |
|                      | Red                | 0-100  | Customize RGB Components   |
|                      | Green              | 0-100  |                            |
|                      | Blue               | 0-100  |                            |

## Using the OSD menu

| Menu           | Sub-Menu      | Options  | Description                   |
|----------------|---------------|--|-------------------------------|
| Sound Settings | Volume        | 0-100  | Adjust audio volume           |
|                | Mute          | Off / On   | /                             |
| Gaming Mode    | Adaptive-Sync | Off / On   | /                             |
|                | Response Time | Off / Fast / Extreme   | /                             |
|                | MPRT          | Off / On   | /                             |
|                | CrossHair     | Off / Icon1 / Icon2 / Icon 3 / Icon 4  | /                             |
|                | Timer         | Off / 15:00 / 30:00 / 45:00 / 60:00  | /                             |
|                | Refresh rate  | Off / Top left / Top right / Bottom left / Bottom right  | /                             |
| Input source   | Auto          | Off / On   | /                             |
|                | Input Select  | HDMI / DP  | Display the input selec       |
| OSD Setting    | Language      | English, Magyar, Polski, Nederlands, Čeština, Italiano, Deutsch, Français, Slovensčina, Español, Português, Românesc, Български. | Set OSD language              |
|                | H-Position    | 0-100  | Adjust horizontal position    |
|                | V-Position    | 0-100  | Adjust vertical               |
|                | Timeout       | 0-60   | Set how long the OSD remains  |
|                | Transparency  | 0-100  | Adjust OSD transparency value |
|                | DDC/CI        | Off / On   | /                             |
|                | Auto Shutdown | Off / On   | /                             |
|                | Reset         | N/A  | Reset monitor configuration   |

## Other

---

Plug and Play features:

- This monitor can be installed on any compatible Plug and Play system.
- The interaction between the monitor and the computer system provides optimal operating conditions and monitor settings.
- In most cases, the monitor installation will be automatic unless the user chooses another setting.
- Acceptable dead pixels:
- The display of this product is made using an advanced semiconductor process with an accuracy of over 1 ppm (parts per million).
- But some pixels may be too bright or black when displaying red, green, blue or white, this is not bad quality, please feel relieved to use!
- This equipment is Class B IT equipment.
- As the angle of the user looking at the screen changes, LED light may be seen on the edge of the product's frame, but this phenomenon is not harmful to the human body and does not affect the product's characteristics and performance.

### Warning

**Never place a monitor in an unstable location. A monitor can fall and cause serious personal injury or death. Many injuries, especially to children, can be avoided by taking simple precautions such as:**

1. Use stands recommended by the monitor manufacturer.
  2. Use only furniture that can safely support the monitor.
  3. Ensure that the monitor does not overhang the edge of supporting furniture.
- 4. Do not place the monitor on tall furniture (e.g., cabinets or bookcases) without securing both the furniture and the monitor to a suitable stand.**
- 5. Do not place the monitor on fabric or other materials that may be located between the monitor and supporting furniture.**
6. Educate children about the dangers of climbing on furniture to reach the monitor or its controls.

**If your existing monitor is retained and relocated, the same considerations above should apply. Wall mounting screws: 22-24 inch M4 x 10mm, 28-70 inch M6 x 10mm, 75 inch M8 x 10mm Note: Do not hang at an angle to avoid the risk of dropping.**

**Note: When using a wall mounting bracket, the installation height cannot exceed 2m.**

## Help

---

Black screen appears / Cannot turn on the product:

1. Please check if the power adapter is connected correctly.
2. Please check whether the power adapter is normally connected to the 100-240V AC socket .
3. Please check whether the signal detection cable information is displayed on the screen, check the cable connection between the PC and this product.
4. Please check whether the HDMI cable is used for connection, if you connect the HDMI cable after the PC is started, or disconnect and reconnect the HDMI cable while using the PC, the screen may not display an image because some graphics cards cannot output a signal, in this case, please restart the PC after connecting the HDMI cable.

## License

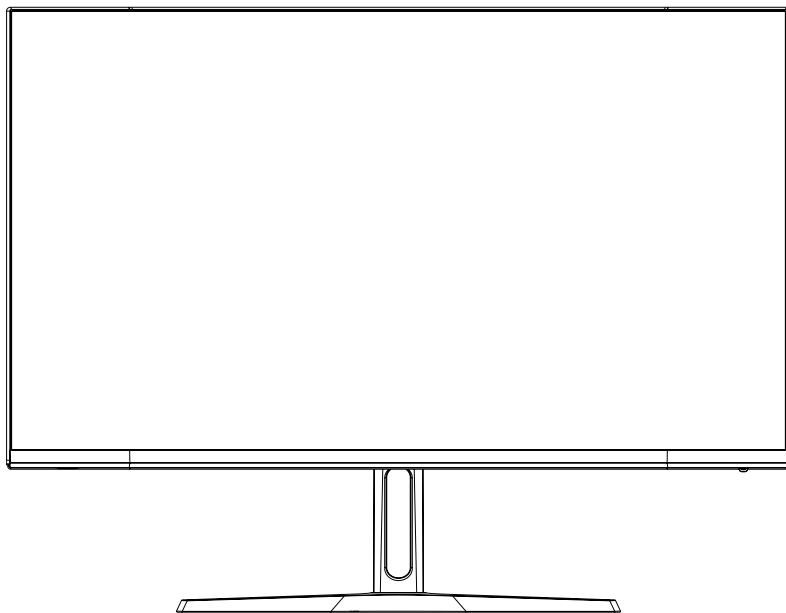
---



The terms HDMI and High-Definition Multimedia Interface HDMI and the HDMI logo are trademarks or registered trademarks of HDMI License LLC in the United States and other countries.

# *PcCom*

## **Manual de usuario**



### **Monitor gaming 27"**

VA FHD 180 Hz con sincronización adaptativa curva

### **PCC-27180VA-CV**

Antes de utilizar esta máquina, lea atentamente este manual y consérvelo para futuras consultas. El color y la apariencia pueden variar según el modelo específico del producto. Las especificaciones están sujetas a cambios futuros para mejorar el rendimiento sin previo aviso.



## Tabla de contenido

---

|   |    |
|---|----|
| ¡Atención! Instrucciones de seguridad importantes ..... | 14 |
| Accesorios.....   | 16 |
| Instalación de la base.....                             | 16 |
| Ajustar el ángulo.....                                  | 16 |
| Conexión de cable.....                                  | 17 |
| Panel de control.....                                   | 17 |
| Uso del menú OSD .....                                  | 18 |
| Otro.....   | 20 |
| Ayuda.....  | 20 |
| Licencia.....   | 20 |

**ADVERTENCIA****RIESGO DE DESCARGA ELÉCTRICA NO ABRIR**

Precaución: No retire la cubierta para reducir el riesgo de descarga eléctrica.

No hay piezas que el usuario pueda reparar en el interior. Asegúrese de que las reparaciones las realice el personal de servicio.



Este símbolo significa que hay un voltaje peligrosamente alto en el interior. Cualquier forma de contacto con cualquier pieza del interior del producto es peligrosa.



Este símbolo le recuerda instrucciones importantes que vienen con el funcionamiento y mantenimiento de este producto.

- Las ranuras y orificios en el chasis y en la parte trasera e inferior están diseñados para proporcionar la ventilación necesaria.

No bloquee ni cubra estas ranuras y orificios para garantizar el funcionamiento de esta máquina y evitar que se sobrecaliente.

No cubra ranuras ni agujeros con tela u otros materiales.

No coloque la máquina sobre camas, sofás, alfombras u otras superficies similares para evitar que se obstruyan dichas ranuras y orificios. No coloque esta máquina en espacios restringidos (por ejemplo, estanterías o armarios empotrados) a menos que se proporcione una ventilación adecuada. Debe mantenerse un espacio de 10 cm entre el producto y la pared.

- No coloque esta máquina cerca o sobre calentadores o radiadores eléctricos, ni en lugares expuestos a la luz solar directa.

- No coloque objetos que generen calor (como velas, ceniceros, incienso, gases inflamables o sustancias explosivas, etc.) cerca del producto.

- No coloque recipientes llenos de agua sobre esta máquina ya que esto podría provocar un incendio o un peligro de descarga eléctrica.

- No exponga el producto a sustancias aceitosas o agentes químicos, ya que esto puede provocar corrosión en la carcasa del producto.

- No exponga esta máquina a la lluvia ni cerca del agua (por ejemplo, cerca de una bañera, fregadero, fregadero de cocina o lavadero, en un sótano húmedo o cerca de una piscina).

Si la máquina se moja accidentalmente, desconecte el cable de alimentación o el adaptador de corriente inmediatamente y luego comuníquese de inmediato con un distribuidor autorizado para obtener más ayuda. Al limpiar el monitor, asegúrese de utilizar un paño seco y suave que no contenga sustancias volátiles. Antes de limpiarlo, asegúrese de desconectar el cable de alimentación o el adaptador de corriente.

- No sobrecargue las tomas de corriente de pared, los cables de extensión ni los receptáculos de conveniencia integrados ya que esto puede provocar un incendio o una descarga eléctrica.

- El cable de alimentación o el adaptador de corriente deben colocarse en un lugar donde no sean pisados ni aplastados por objetos que se encuentren encima o al lado de ellos, y se debe prestar especial atención a los cables en el enchufe, en los receptáculos de conveniencia integrados y en la toma de corriente de la máquina.

- Para proteger mejor esta máquina en caso de tormentas eléctricas o cuando se la deja desatendida o sin usar durante mucho tiempo, desenchufe el cable de alimentación o el adaptador de corriente y desconecte el sistema de cable.

Esto evita que la máquina sufra daños durante una tormenta eléctrica o en caso de una subida de tensión en la línea eléctrica. ---- Antes de conectar el cable de alimentación de CA al adaptador de corriente o a la interfaz de alimentación del monitor (sujeto al estilo real del producto), asegúrese de que su suministro de energía local cumpla con los requisitos del adaptador de corriente o del voltaje de entrada del monitor. \*Asegúrese de no insertar ningún objeto metálico en los orificios de esta máquina, de lo contrario podría causar peligro de descarga eléctrica.

- No toque el interior de esta máquina para evitar descargas eléctricas. Solo técnicos calificados pueden abrir la cubierta de esta máquina.

- Asegúrese de que el enchufe del cable de alimentación o el adaptador de corriente se puedan insertar de forma segura en la toma de corriente. Al desconectar el cable de alimentación, asegúrese de sujetar firmemente el enchufe o el adaptador de corriente y desenchufarlo de la toma de corriente.

- No toque el cable de alimentación ni el adaptador de corriente con las manos mojadas.

- Si la máquina no funciona normalmente, especialmente si emite algún sonido u olor inusual, desconecte la toma de corriente inmediatamente y comuníquese con un distribuidor autorizado o un centro de servicio para obtener más ayuda.

## ¡ADVERTENCIA! Instrucciones de seguridad importantes

- Si planea dejar el monitor sin usar durante un período prolongado de tiempo, o si va a estar fuera de casa (especialmente si hay niños, ancianos o personas con discapacidades solos), asegúrese de desenchufar el enchufe de alimentación o el adaptador de corriente del tomacorriente. El polvo acumulado puede provocar chispas y calor en el cable de alimentación o en el adaptador de corriente o provocar que el aislamiento del cable de alimentación o del adaptador de corriente se deteriore, lo que puede provocar una descarga eléctrica, una fuga o un incendio.
- Después de trasladar el monitor de un lugar de baja temperatura a un área cálida, debe permanecer allí durante un período de tiempo antes de encenderlo, para que la condensación dentro del monitor se pueda disipar y secar por completo.
- El voltaje de alimentación estará marcado en la parte posterior del monitor, DC 12V.
- Si piensa instalar este producto en entornos con polvo, temperaturas altas o bajas, humedad elevada, que contengan productos químicos y lugares donde se utilice las 24 horas (como aeropuertos o estaciones de tren, etc.), asegúrese de ponerse en contacto con un centro de servicio autorizado para obtener más ayuda. De lo contrario, el monitor podría sufrir daños graves.
- Asegúrese de utilizar únicamente enchufes y tomas de corriente debidamente conectados a tierra. Una conexión a tierra deficiente puede provocar descargas eléctricas o daños en el equipo. (Solo para equipos de Clase I)
- Para desconectar la energía del dispositivo, el cable de alimentación o el enchufe del adaptador de corriente deben estar desenchufados de la máquina, de modo que el cable de alimentación o el enchufe del adaptador deben ser fácilmente accesibles.
- Está prohibido que los niños se suban a este producto.
- Mantenga los accesorios fuera del alcance de los niños.
- No instale este producto en una ubicación inestable, como un estante inestable, un piso inclinado o un lugar sujeto a vibraciones externas.
- No deje caer el producto ni lo someta a golpes. Si el producto está dañado, desconecte la fuente de alimentación y comuníquese con el centro de servicio a tiempo para recibir asistencia adicional.

### PRECAUCIÓN

Riesgo de explosión si se sustituye la batería por una de tipo incorrecto.

- Sustitución de una batería por una de tipo incorrecto que pueda anular una protección (por ejemplo, en el caso de algunos tipos de baterías de litio);
- Desechar una batería en el fuego o en un horno caliente, o aplastarla o cortarla mecánicamente, lo que puede provocar una explosión; \* dejar una batería en un entorno con una temperatura extremadamente alta que puede provocar una explosión o la fuga de líquido o gas inflamable;
- Una batería sometida a una presión de aire extremadamente baja que puede provocar una explosión o la fuga de líquido o gas inflamable.

### RECICLAJE



Este producto lleva el símbolo de separación selectiva de residuos de aparatos eléctricos y electrónicos (RAEE). Esto significa que este producto debe manipularse de acuerdo con la directiva europea 2012/19/UE para su reciclaje o desmantelamiento con el fin de minimizar su impacto en el medio ambiente.

El usuario tiene la opción de entregar su producto a una organización de reciclaje competente o al minorista cuando compra un equipo eléctrico o electrónico nuevo.

Especificaciones técnicas:

Temperatura de funcionamiento: -10 °C - 35 °C

Este equipo cumple con los límites de exposición a la radiación establecidos para un entorno no controlado.

Este equipo debe instalarse y utilizarse con una distancia mínima de 20 cm entre el radiador y su cuerpo.

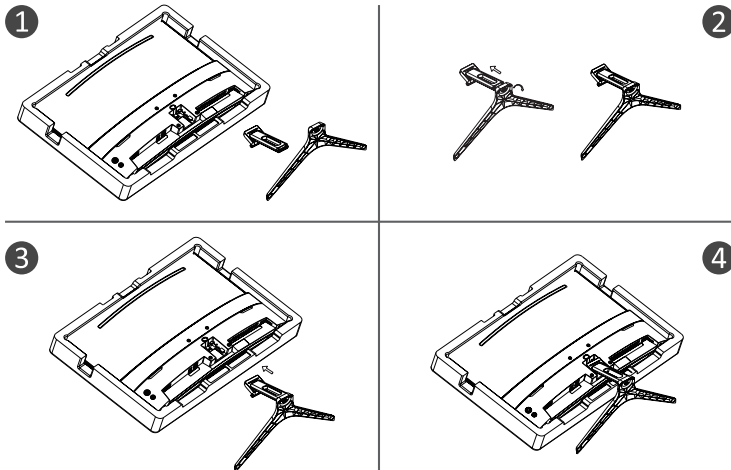
## Accesorios

- Verifique si todos los artículos están incluidos en su monitor. Si faltan artículos, comuníquese con su distribuidor a tiempo.
- El color y la forma del artículo pueden variar según el modelo.
- Los cables suministrados pueden variar dependiendo del producto adquirido.

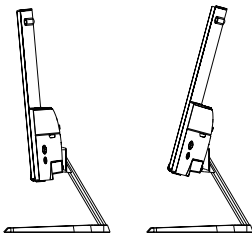
|               |                       |  |
|---------------|-----------------------|--|
| <b>Manual</b> | Guía de inicio rápido | Tarjeta de garantía  |
| <b>Cable</b>  | Cable HDMI            | Se aplica únicamente a monitores con puertos HDMI.<br>No todos los modelos vienen con un cable HDMI, puedes comprar este accesorio por separado. |
| <b>Otros</b>  | Adaptador             |  |

## Instalación de la base

(\*Las funciones del monitor pueden variar según el modelo, prevalecerá el producto real)



## Ajustar el ángulo






1. Los dibujos son solo de referencia y consulte el monitor real.
2. El ángulo de la pantalla se puede ajustar hacia adelante 5° y hacia atrás 15° para una mayor comodidad.
3. Tenga cuidado de no tocar ni presionar el área de la pantalla al ajustar el ángulo del monitor.



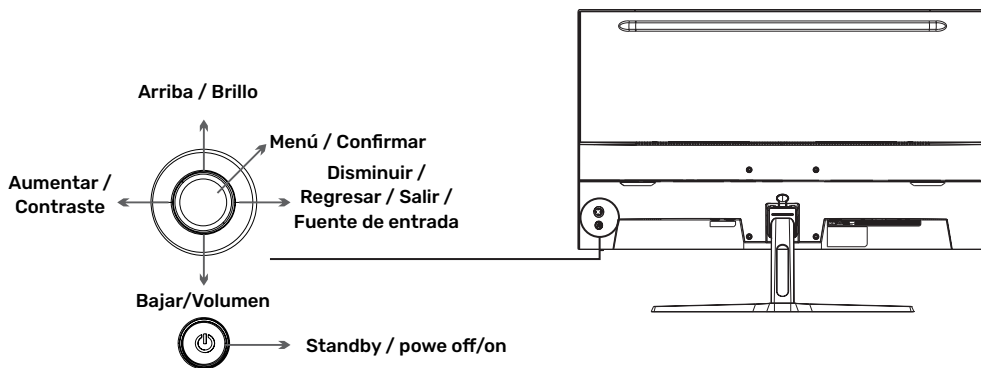
## Conexión de cable

La información de configuración en la parte posterior del monitor varía según el modelo del producto. Lea el siguiente contenido antes de conectar el producto.

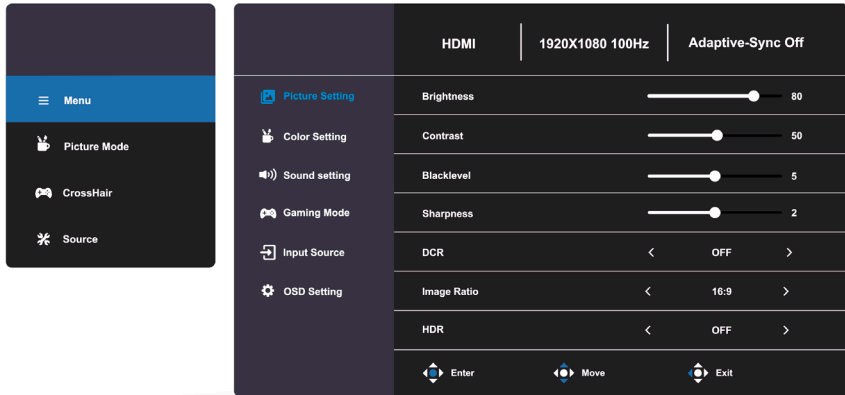
1. Antes de conectar el producto, asegúrese de verificar los dos puertos del cable de señal suministrado, así como la forma y posición de los puertos en el producto y los dispositivos externos.
2. Antes de conectar el producto, asegúrese de quitar el cable de alimentación o el adaptador de corriente del producto y de los dispositivos externos para evitar daños al producto debido a cortocircuitos o sobrecorriente.
3. Una vez que todos los cables de señal estén conectados correctamente, vuelva a conectar el cable de alimentación o el adaptador de corriente al producto y a los dispositivos externos.
4. Una vez completada la conexión, asegúrese de leer el manual para familiarizarse con las características del producto, las precauciones y otra información necesaria para utilizar el producto correctamente.

|  |  |  |   |
|--|--|--|---|
|  <p><b>HDMI</b></p> | <p>Usando un cable HDMI para conectar el puerto HDMI del producto al puerto HDMI OUT de la PC.</p> |  <p><b>EARPHONE</b></p> | <p><b>SALIDA DE AURICULARES:</b> Utilice un enchufe de auriculares para conectarlo al conector de SALIDA DE AURICULARES.</p>  |
|  <p><b>DP</b></p>   | <p>Conecte el cable DP del LED al puerto llamado DP IN en la parte posterior del monitor LED.</p>  | <p><b>DC IN</b></p>  | <p>Utilice el adaptador para acceder al puerto, la fuente de alimentación de esta interfaz solo admite CC 12 V, utilice el adaptador correspondiente para acceder, consulte con el centro de servicio autorizado para obtener el adaptador no original.</p> |

## Panel de control



## Uso del menú OSD



1. Para ver el menú OSD, presione el botón central hacia abajo para ingresar al menú OSD.
2. Presione las teclas arriba/abajo para mover las opciones de configuración, ajústelas con las teclas izquierda y derecha y presione la tecla central hacia abajo para confirmar.
3. Para volver al menú anterior y seleccionar un elemento del menú, presione el botón de la izquierda.
4. Para salir del menú OSD, presione el botón hacia la izquierda hasta salir.

| Menú                           | Submenú                   | Opciones  | Descripción                         |
|--------------------------------|---------------------------|---|-------------------------------------|
| Configuración de imagen.Imagen | Brillo                    | 0-100   | Ajustar el brillo de la pantalla    |
|                                | Contraste                 | 0-100   | Ajustar el contraste de la pantalla |
|                                | Nivel negro               | 0-10  | /                                   |
|                                | Nitidez                   | 0-4   | /                                   |
|                                | DCR                       | Apagado/Encendido   | Activar/desactivar la función DCR   |
|                                | Relación de imagen        | Automático, 16:9, 4:3                                     | Establecer relación de aspecto      |
|                                | Alto rango dinámico (HDR) | Apagado/Encendido   | Activar o desactivar la función HDR |
| Ajustes de color               | Modo de imagen            | Energy Star/Estándar/ Cine/Oficina/FPS/RTS/ CARRERAS/SRGB | Seleccionarmodo de imagen           |
|                                | Gama                      | Apagado / 1,8 / 2,0 / 2,2 / 2,4                           |                                     |
|                                | Modo azul bajo            | Apagado / Débil / Medio / Fuerte                          | Ajustar pantalla azul baja          |
|                                | Temperatura de color      | Cálido / Usuario / Frío / Normal                          | Ajustar la temperatura del color    |
|                                | Rojo                      | 0-100   | Personalizar componentes RGB        |
|                                | Verde                     | 0-100   |                                     |
|                                | Azul                      | 0-100   |                                     |

| Menú                    | Submenú                     | Opciones  | Descripción                               |
|-------------------------|-----------------------------|---|---|
| Configuración de sonido | Volumen                     | 0-100   | Ajustar el volumen del audio              |
|                         | Silenciar                   | Apagado / Encendido   | /   |
| Modo de juego           | Sincronización adaptativa   | Apagado / Encendido   | /   |
|                         | Tiempo de respuesta         | Apagado / Rápido / Extremo  | /   |
|                         | MPRT                        | Apagado / Encendido   | /   |
|                         | Punto de mira               | Apagado / Icono1 / Icono2 / Icono3 / Icono4   | /   |
|                         | Temporizador                | Apagado / 15:00 / 30:00 / 45:00 / 60:00   | /   |
|                         | Frecuencia de actualización | Apagado / Arriba izquierda / Arriba derecha / Abajo izquierda / Abajo derecha   | /   |
| Fuente de entrada       | Auto                        | Apagado / Encendido   | /   |
|                         | Seleccionar entrada         | HDMI / DP   | Mostrar la selección de entrada           |
| Configuración OSD       | Idioma                      | Inglés, Magyar, Polski, Nederlands, Chestina, Italiano, Alemán, Francés, esloveno, español, Portugués, Românesc, Български. | Establecer el lenguaje del TOC            |
|                         | Posición H                  | 0-100   | Ajustar la posición horizontal            |
|                         | Posición V                  | 0-100   | Ajustar vertical                          |
|                         | Tiempo                      | 0-60  | Establezca cuánto tiempo permanece el OSD |
|                         | Transparencia               | 0-100   | Ajustar el valor de transparencia del OSD |
|                         | DDC/CI                      | Apagado / Encendido   | /   |
|                         | Apagado automático          | Apagado / Encendido   | /   |
|                         | Reiniciar                   | N / A   | Restablecer la configuración del monitor  |

## Otro

Características Plug and Play:

- Este monitor se puede instalar en cualquier sistema Plug and Play compatible.
- La interacción entre el monitor y el sistema informático proporciona condiciones de funcionamiento y configuraciones de monitor óptimas.
- En la mayoría de los casos, la instalación del monitor será automática a menos que el usuario elija otra configuración.
- Píxeles muertos aceptables:
- La pantalla de este producto se realiza mediante un avanzado proceso de semiconductores con una precisión de más de 1 ppm (partes por millón).
- Algunos píxeles pueden ser demasiado brillantes o negros al mostrar rojo, verde, azul o blanco. Esto no es por ningún error de calidad.
- Este equipo es un equipo informático de clase B.
- A medida que cambia el ángulo desde el que el usuario mira la pantalla, es posible que se vea una luz LED en el borde del marco del producto, pero este fenómeno no es dañino para el cuerpo humano y no afecta las características ni el rendimiento del producto.

### Advertencia

**Nunca coloque un monitor en una ubicación inestable. Un monitor puede caerse y provocar lesiones personales graves o la muerte. Muchas lesiones, especialmente en niños, se pueden evitar tomando precauciones sencillas como:**

1. Utilice soportes recomendados por el fabricante del monitor.
  2. Utilice únicamente muebles que puedan sostener el monitor de forma segura.
  3. Asegúrese de que el monitor no sobresalga del borde del mueble que lo sostiene.
  4. No coloque el monitor sobre muebles altos (por ejemplo, armarios o estanterías) sin fijar tanto el mueble como el monitor a un soporte adecuado.
  5. No coloque el monitor sobre telas u otros materiales que puedan estar entre el monitor y el mobiliario de apoyo.
  6. Eduque a los niños sobre los peligros de subirse a los muebles para alcanzar el monitor o sus controles.
- Si conserva y reubica su monitor actual, se deben aplicar las mismas consideraciones anteriores. Tornillos para montaje en pared: 22-24 pulgadas M4 x 10 mm, 28-70 pulgadas M6 x 10 mm, 75 pulgadas M8 x 10 mm Nota: No lo cuelgue en ángulo para evitar el riesgo de caída.

**Nota: Al utilizar un soporte de montaje en pared, la altura de instalación no puede superar los 2 m.**

## Ayuda

Aparece una pantalla negra / No se puede encender el producto:

1. Compruebe si el adaptador de corriente está conectado correctamente.
2. Compruebe si el adaptador de corriente está conectado normalmente a la toma de CA de 100-240 V.
3. Verifique si la información del cable de detección de señal se muestra en la pantalla, verifique la conexión de cable entre el PC y este producto.
4. Compruebe si se utiliza el cable HDMI para la conexión, si conecta el cable HDMI después de iniciar la PC, o desconectar y volver a conectar el cable HDMI mientras se usa la PC, la pantalla. Es posible que no se muestre una imagen porque algunas tarjetas gráficas no pueden emitir una señal; en este caso, reinicie la PC después de conectar el cable HDMI.

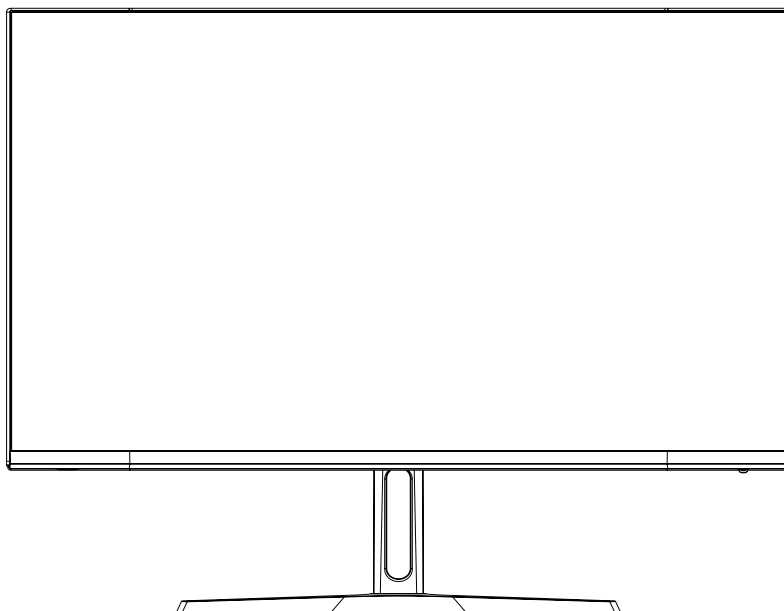
## Licencia



Los términos HDMI y High-Definition Multimedia Interface HDMI y el logotipo de HDMI son marcas comerciales o marcas comerciales registradas de HDMI License LLC en los Estados Unidos y otros países.

# *PcCom*

## **Manuale utente**



### **Monitor da gioco da 27".**

VA FHD 180Hz Adaptive Sync Curva

### **PCC-27180VA-CV**

Prima di utilizzare questa macchina, leggere attentamente questo manuale e conservarlo per riferimenti futuri. Il colore e l'aspetto possono variare a seconda del modello di prodotto specifico. Le specifiche sono soggette a modifiche future per migliorare le prestazioni senza preavviso.



## Indice

---

|   |    |
|---|----|
| Avvertenza! Istruzioni importanti per la sicurezza..... | 23 |
| Accessori .....   | 25 |
| Installazione della base.....                           | 25 |
| Regolazione dell'inclinazione.....                      | 25 |
| Collegamento del cavo .....                             | 26 |
| Pannello di controllo .....                             | 26 |
| Utilizzo del menu OSD.....                              | 27 |
| Altro.....  | 29 |
| Aiuto.....  | 29 |
| Licenza .....   | 29 |

**RISCHIO DI SCOSSE ELETTRICHE NON APRIRE**

Attenzione: Non rimuovere il coperchio per ridurre il rischio di scosse elettriche.

All'interno non sono presenti parti riparabili dall'utente. Assicurarsi che le riparazioni vengano eseguite dal personale di assistenza.



Questo simbolo significa che all'interno è presente una tensione elevata pericolosa. Qualsiasi forma di contatto con qualsiasi parte interna del prodotto è pericolosa.



Questo simbolo ricorda le istruzioni importanti che accompagnano il funzionamento e la manutenzione di questo prodotto.

- Le fessure e i fori all'interno del telaio, nella parte posteriore e in quella inferiore, sono progettati per garantire la necessaria ventilazione.

Non ostruire o coprire queste fessure e questi fori per garantire l'operatività della macchina ed evitarne il surriscaldamento.

Non coprire le fessure e i fori con panni o altri materiali.

Non collocare la macchina su letti, divani, tappeti o altre superfici simili per evitare l'intasamento di tali fessure e fori. Non collocare la macchina in spazi ristretti (ad es. librerie o armadi a muro) a meno che non sia prevista un'adeguata ventilazione. Tra il prodotto e la parete deve essere mantenuta una distanza di 10 cm.

- Non collocare la macchina vicino o sopra radiatori o stufe elettriche o in luoghi esposti alla luce diretta del sole.

- Non collocare oggetti che generano calore (come candele, posacenere, incenso, gas infiammabili o sostanze esplosive, ecc.) accanto al prodotto.

- Non collocare contenitori pieni d'acqua sulla macchina per evitare il rischio di incendi o scosse elettriche.

- Non esporre il prodotto a sostanze oleose o ad agenti chimici per evitare la corrosione dell'involucro del prodotto.

- Non esporre la macchina alla pioggia o in prossimità dell'acqua (ad esempio vicino a una vasca da bagno, a un lavandino, a un lavello della cucina o della lavanderia, in uno scantinato umido o in prossimità di una piscina). Se la macchina si bagna accidentalmente, scollegare immediatamente il cavo di alimentazione o l'adattatore di corrente e contattare immediatamente un rivenditore autorizzato per ulteriore assistenza. Per la pulizia del monitor, utilizzare un panno asciutto e morbido che non contenga sostanze volatili. Prima di procedere alla pulizia, scollegare il cavo di alimentazione o l'adattatore di corrente.

- Non sovraccaricare le prese a muro, le prolunghe o le prese integrate per evitare incendi o scosse elettriche.

- Il cavo di alimentazione o l'adattatore di alimentazione devono essere collocati in una posizione tale da non essere calpestati o schiacciati da oggetti posti sopra o accanto ad essi, e occorre prestare particolare attenzione ai fili della spina, delle prese integrate e della presa di corrente dell'apparecchio.

- Per proteggere meglio la macchina in caso di fulmini o quando viene lasciato incustodito o inutilizzato per lungo tempo, scollegare il cavo di alimentazione o l'adattatore di alimentazione e scollegare il sistema di cavi. In questo modo si evitano danni alla macchina durante un temporale o in caso di sovratensione sulla linea elettrica. ---- Prima di collegare il cavo di alimentazione CA all'adattatore di alimentazione o all'interfaccia di alimentazione del monitor (a seconda del tipo di prodotto), accertarsi che l'alimentazione locale soddisfi i requisiti della tensione di ingresso dell'adattatore di alimentazione o del monitor. \*Assicurarsi di non inserire oggetti metallici nei fori dell'apparecchio, per evitare il rischio di scosse elettriche.

- Non toccare l'interno della macchina per evitare scosse elettriche. L'apertura del coperchio della macchina è consentita solo a tecnici qualificati.

- Assicurarsi che la spina del cavo di alimentazione o l'adattatore di alimentazione possano essere inseriti saldamente nella presa di corrente. Quando si scollega il cavo di alimentazione, afferrare saldamente la spina o l'adattatore di alimentazione e staccarla dalla presa.

- Non toccare il cavo di alimentazione o l'adattatore di alimentazione con le mani bagnate.

- Se la macchina non funziona normalmente, in particolare se emette suoni o odori insoliti, scollegare immediatamente la presa di corrente e contattare un rivenditore o un centro di assistenza autorizzato per ulteriore assistenza.

## AVVERTIMENTO! Importanti istruzioni di sicurezza

- Se si prevede di lasciare il monitor inutilizzato per un periodo di tempo prolungato o se ci si allontana da casa (soprattutto se ci sono bambini, anziani o persone con disabilità lasciate sole), assicurarsi di scollegare la spina o l'adattatore di alimentazione dalla presa.

L'accumulo di polvere può provocare scintille e calore dal cavo di alimentazione o dall'adattatore di alimentazione o causare il deterioramento dell'isolamento del cavo di alimentazione o dell'adattatore di alimentazione, con conseguenti scosse elettriche, perdite o incendi.

- Dopo aver spostato il monitor da un luogo a bassa temperatura a un'area calda, è necessario riporlo per un certo periodo di tempo prima dell'accensione, in modo che la condensa all'interno del monitor possa essere completamente dissipata e asciugata.

- La tensione di alimentazione è indicata sul retro del monitor: 12 V CC.

- Se si prevede di installare questo prodotto in ambienti polverosi, ad alta o bassa temperatura, ad alta umidità, contenenti sostanze chimiche e in luoghi utilizzati 24 ore su 24 (come aeroporti o stazioni ferroviarie, ecc.), assicurarsi di contattare un centro di assistenza autorizzato per ulteriore assistenza. In caso contrario, il monitor potrebbe subire gravi danni.

- Assicurarsi di utilizzare solo spine e prese adeguatamente messe a terra. Una messa a terra inadeguata può provocare scosse elettriche o danni alle apparecchiature (solo per le apparecchiature di Classe I)

- Per scollegare l'alimentazione dal dispositivo, il cavo di alimentazione o la spina dell'adattatore di alimentazione devono essere scollegati dalla macchina, quindi il cavo di alimentazione o la spina dell'adattatore devono essere facilmente accessibili.

- Proibire ai bambini di arrampicarsi su questo prodotto.

- Tenere gli accessori fuori dalla portata dei bambini.

- Non installare il prodotto in un luogo instabile, ad esempio su uno scaffale traballante, su un pavimento in pendenza o in un luogo soggetto a vibrazioni esterne.

- Non far cadere il prodotto e non sottoporlo a urti. Se il prodotto è danneggiato, scollegare l'alimentazione e contattare tempestivamente il centro di assistenza per ricevere ulteriore assistenza.

### ATTENZIONE

Rischio di esplosione se la batteria viene sostituita con una di tipo non corretto.

- Sostituzione di una batteria con una di tipo non corretto che può annullare una protezione (ad esempio, nel caso di alcuni tipi di batterie al litio);

- Lo smaltimento di una batteria nel fuoco o in un forno caldo, oppure la frantumazione o il taglio meccanico di una batteria, che possono provocare un'esplosione; \* l'abbandono di una batteria in un ambiente circostante a temperatura estremamente elevata, che può provocare un'esplosione o la fuoriuscita di liquido o gas infiammabile;

- Una batteria sottoposta a una pressione dell'aria estremamente bassa che può provocare un'esplosione o la fuoriuscita di liquido o gas infiammabile.



### RICICLO

Questo prodotto reca il simbolo di selezione selettiva dei rifiuti di apparecchiature elettriche ed elettroniche (RAEE). Ciò significa che questo prodotto deve essere trattato in conformità alla direttiva europea 2012/19/UE per essere riciclato o smantellato per ridurre al minimo l'impatto sull'ambiente.

L'utente può scegliere se consegnare il proprio prodotto a un'organizzazione di riciclaggio competente o al rivenditore quando acquista una nuova apparecchiatura elettrica o elettronica.

Specifiche tecniche:

Temperatura di esercizio: -10°C-35°C

Questa apparecchiatura è conforme ai limiti di esposizione alle radiazioni stabiliti per un ambiente non controllato.

Questa apparecchiatura deve essere installata e utilizzata a una distanza minima di 20 cm tra il radiatore e il corpo.



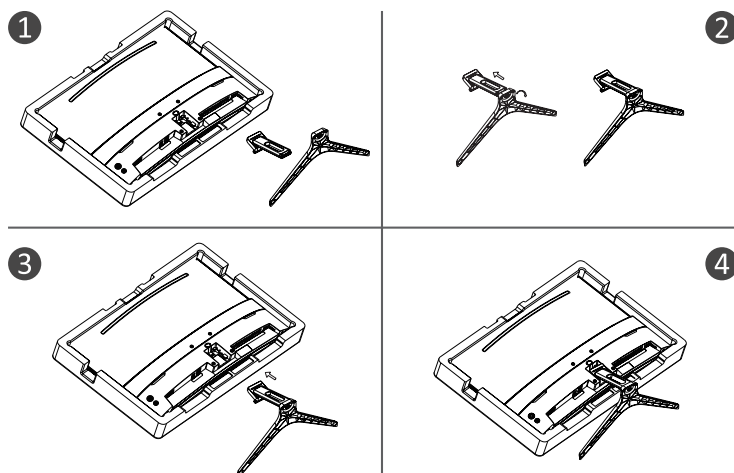
## Accessori

- Verificare che tutti gli articoli siano inclusi nel set del monitor; qualora mancassero degli articoli, contattare il rivenditore in tempo utile.
- Il colore e la forma dell'articolo possono variare a seconda del modello.
- I cavi forniti possono variare a seconda del prodotto acquistato.

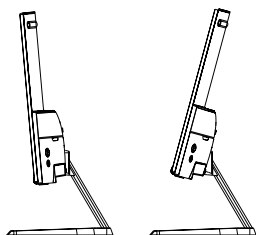
|                |              |  |
|----------------|--------------|--|
| <b>Manuale</b> | Guida rapida | Scheda di garanzia   |
| <b>Cavo</b>    | Cavo HDMI    | Si applica solo ai monitor con porte HDMI.<br>Non tutti i modelli sono dotati di un cavo HDMI; è possibile acquistare questo accessorio separatamente. |
| <b>Altri</b>   | Adattatore   |  |

## Installazione della base

(\*Le funzioni del monitor possono variare a seconda del modello, farà fede il prodotto effettivo)



## Regolazione dell'inclinazione






1. I disegni sono solo indicativi, si prega di fare riferimento al monitor reale.
2. L'inclinazione dello schermo può essere regolata in avanti di 5° e indietro di 15°, per una visione confortevole.
3. Fare attenzione a non toccare o premere l'area dello schermo quando si regola l'inclinazione del monitor.

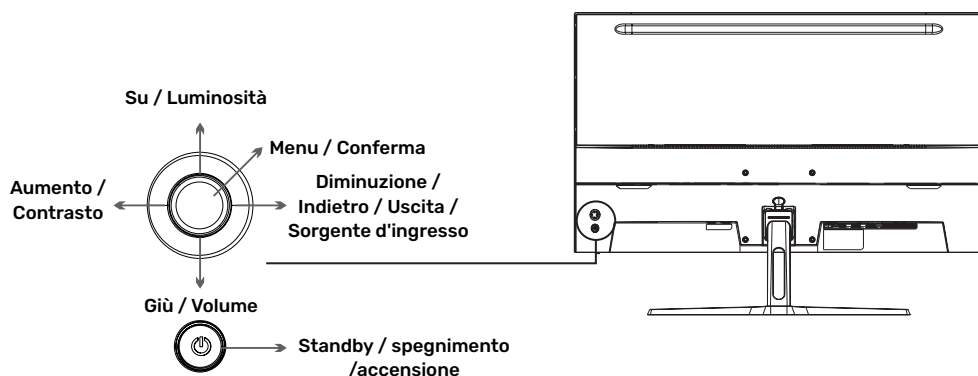
## Collegamento del cavo

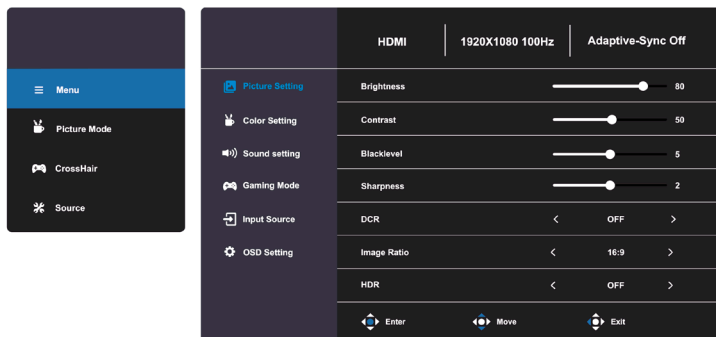
Le informazioni di configurazione sul retro del monitor variano a seconda del modello di prodotto. Prima di collegare il prodotto, leggere i seguenti contenuti.

1. Prima di collegare il prodotto, verificare le due porte del cavo di segnale in dotazione, nonché la forma e la posizione delle porte sul prodotto e sui dispositivi esterni.
2. Prima di collegare il prodotto, assicurarsi di rimuovere il cavo di alimentazione o l'adattatore di alimentazione dal prodotto e dai dispositivi esterni per evitare danni al prodotto dovuti a cortocircuiti o sovracorrenti.
3. Dopo aver collegato correttamente tutti i cavi di segnale, collegare il cavo di alimentazione o l'adattatore di alimentazione al prodotto e ai dispositivi esterni.
4. Dopo aver completato il collegamento, leggere il manuale per familiarizzare con le caratteristiche del prodotto, le precauzioni e le altre informazioni necessarie per utilizzarlo correttamente.

|   |  |   |   |
|---|--|---|---|
| <br>HDMI | Utilizzare un cavo HDMI per collegare la porta HDMI del prodotto alla porta HDMI OUT del PC. | <br>EARPHONE | USCITA CUFFIE: Utilizzare uno spinotto per cuffie da collegare alla presa EARPHONE OUT.   |
| <br>DP   | Collegare il cavo DP del LED alla porta denominata DP IN sul retro del monitor LED.          | DC IN   | Utilizzare l'adattatore per accedere alla porta, l'alimentazione di questa interfaccia supporta solo 12 V CC, utilizzare l'adattatore corrispondente per accedere, si prega di consultare il centro di assistenza autorizzato per l'adattatore non originale. |

## Pannello di controllo





1. Per visualizzare il menu OSD, premere il pulsante centrale verso il basso per accedere al menu OSD.
2. Premere i tasti su/giù per spostare le opzioni di configurazione, regolarle con i tasti destro e sinistro premere il tasto centrale per confermare.
3. Per tornare al menu precedente e selezionare una voce di menu, premere il tasto a sinistra.
4. Per uscire dal menu OSD, premere il tasto a sinistra fino all'uscita.

| Menu                    | Sottomenu                            | Opzioni   | Descrizione  |
|-------------------------|--------------------------------------|---|--|
| Immagine Config.Image   | Luminosità                           | 0-100   | Regolare la luminosità del display                             |
|                         | Contrasto                            | 0-100   | Regolare il contrasto del display                              |
|                         | Livello nero                         | 0-10  | /  |
|                         | Nitidezza                            | 0-4   | /  |
|                         | DCR                                  | Off/On  | Attivazione/disattivazione della funzione DCR                  |
|                         | Rapporto di immagine                 | Auto, 16:9, 4:3   | Impostazione del rapporto di aspetto                           |
|                         | HDR                                  | Off/On  | Attivazione/disattivazione della funzione HDR                  |
| Impostazioni del colore | Modalità immagine                    | Energy Star/ Standard / Film / Ufficio / FPS/RTS/ RACING/SRGB | Selezionare la modalità Immagine                               |
|                         | Gioco                                | Off / 1.8 / 2.0 / 2.2 / 2.4                                   |  |
|                         | Modalità bassa emissione di luci blu | Spento / Debole / Medio / Forte                               | Regolare il display nella modalità bassa emissione di luci blu |
|                         | Temperatura del colore               | Caldo / Utente / Freddo / Normale                             | Regolare la temperatura del colore                             |
|                         | Rosso                                | 0-100   | Personalizzazione dei componenti RGB                           |
|                         | Verde                                | 0-100   |  |
|                         | Blu                                  | 0-100   |  |

## Utilizzo del menu OSD

| Menu               | Sottomenu                  | Opzioni  | Descrizione                                 |
|--------------------|----------------------------|--|---|
| Impostazioni audio | Volume                     | 0-100  | Regolare il volume dell'audio               |
|                    | Volume disattivato         | Off / On   | /   |
| Modalità gioco     | Adaptive-Sync              | Off / On   | /   |
|                    | Tempo di risposta          | Off / Veloce / Estremo   | /   |
|                    | MPRT                       | Off / On   | /   |
|                    | Reticolo                   | Off / Icona1 / Icona2 / Icona3 / Icona4  | /   |
|                    | Timer                      | Off / 15:00 / 30:00 / 45:00 / 60:00  | /   |
|                    | Frequenza di aggiornamento | Off / In alto a sinistra / In alto a destra / In basso a sinistra / In basso a destra  | /   |
|                    | Sorgente d'ingresso        | Auto   | Off / On                                    |
|                    | Selezione dell'ingresso    | HDMI / DP  | Visualizzare la selezione degli ingressi    |
| Impostazione OSD   | Lingua                     | English, Magyar, Polski, Nederlands, Čeština, Italiano, Deutsch, Français, Slovensčina, Español, Português, Românesc, Български. | Impostare la lingua dell'OSD                |
|                    | Posizione H                | 0-100  | Regolare la posizione orizzontale           |
|                    | Posizione V                | 0-100  | Regolazione verticale                       |
|                    | Timeout                    | 0-60   | Impostare il tempo di permanenza dell'OSD   |
|                    | Trasparenza                | 0-100  | Regolare il valore della trasparenza OSD    |
|                    | DDC/CI                     | Off / On   | /   |
|                    | Spegnimento automatico     | Off / On   | /   |
|                    | Reset                      | N/A  | Ripristino della configurazione del monitor |

## Altro

Caratteristiche Plug and Play:

- Questo monitor può essere installato su qualsiasi sistema Plug and Play compatibile.
- L'interazione tra il monitor e il sistema informatico garantisce condizioni operative e impostazioni ottimali del monitor.
- Nella maggior parte dei casi, l'installazione del monitor sarà automatica, a meno che l'utente non scelga un'altra impostazione.
- Pixel morti accettabili:
- Il display di questo prodotto è realizzato con un processo avanzato di semiconduttori con una precisione di oltre 1 ppm (parti per milione).
- Ma alcuni pixel potrebbero essere troppo luminosi o neri durante la visualizzazione di rosso, verde, blu o bianco, questo non è di cattiva qualità, si prega di sentirsi sollevati di utilizzarlo!
- Questa apparecchiatura è un'apparecchiatura IT di Classe B.
- Al variare dell'angolazione da cui l'utente guarda lo schermo, la luce dei LED può essere visibile sul bordo della cornice del prodotto, ma questo fenomeno non è dannoso per il corpo umano e non influisce sulle caratteristiche e sulle prestazioni del prodotto.

### Avvertenza

**Non collocare mai il monitor in una posizione instabile. Un monitor può cadere e causare gravi lesioni personali o morte. Molti infortuni, soprattutto quelli dei bambini, possono essere evitati adottando semplici precauzioni, come ad esempio:**

1. Utilizzare i supporti consigliati dal produttore del monitor.
2. Utilizzare solo mobili in grado di sostenere in modo sicuro il monitor.
3. Assicurarsi che il monitor non sporga dal bordo del mobile di supporto.
4. Non collocare il monitor su mobili alti (ad esempio, armadi o librerie) senza fissare sia il mobile che il monitor a un supporto adeguato.
5. Non collocare il monitor su tessuti o altri materiali che potrebbero trovarsi tra il monitor e i mobili di supporto.
6. Istruire i bambini sui pericoli di arrampicarsi sui mobili per raggiungere il monitor o i suoi comandi.

Se il monitor esistente viene mantenuto e riposizionato, si applicano le stesse considerazioni di cui sopra. Viti per il montaggio a parete: 22-24 pollici M4 x 10 mm, 28-70 pollici M6 x 10 mm, 75 pollici M8 x 10 mm Nota: Non appendere il monitor inclinato per evitare il rischio di caduta.

**Nota:** Quando si utilizza una staffa di montaggio a parete, l'altezza di installazione non può superare i 2 metri.

## Aiuto

Appare una schermata nera / Non si riesce ad accendere il prodotto:

1. Verificare che l'adattatore di alimentazione sia collegato correttamente.
2. Verificare che l'adattatore di alimentazione sia collegato normalmente alla presa di corrente da 100-240 V CA.
3. Verificare se le informazioni sul cavo di rilevamento del segnale sono visualizzate sullo schermo, controllare il cavo di collegamento tra il PC e questo prodotto.
4. Controllare se il cavo HDMI è stato utilizzato per il collegamento, se si collega il cavo HDMI dopo l'avvio del PC o si scollega e ricollega il cavo HDMI durante l'utilizzo del PC, lo schermo potrebbe non visualizzare l'immagine perché alcune schede grafiche non sono in grado di emettere un segnale; in questo caso, riavviare il PC dopo aver collegato il cavo HDMI.

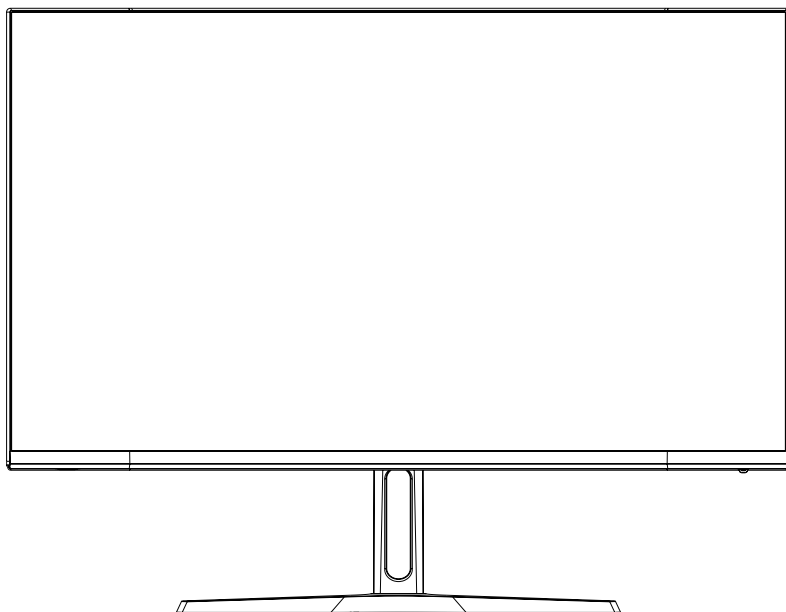
## Licenza



I termini HDMI e High-Definition Multimedia Interface HDMI e il logo HDMI sono marchi o marchi registrati di HDMI License LLC negli Stati Uniti e in altri paesi.

*PcCom*

## Manuel de l'utilisateur



### **Moniteur gaming 27"**

VA FHD 180Hz Adaptive Sync incurvé

**PCC-27180VA-CV**

Avant d'utiliser cet appareil, veuillez lire attentivement le manuel et le conserver pour référence ultérieure. La couleur et l'aspect peuvent varier en fonction du modèle spécifique du produit.

Les spécifications sont susceptibles d'être modifiées sans préavis à l'avenir pour en améliorer les performances.



## Table des matières

---

|   |    |
|---|----|
| Avertissement ! Consignes de sécurité importantes ..... | 32 |
| Accessoires .....                                       | 34 |
| Installation de la base.....                            | 34 |
| Régler l'angle .....                                    | 34 |
| Raccordement du câble .....                             | 35 |
| Panneau de commande .....                               | 35 |
| Utilisation du menu OSD.....                            | 36 |
| Autres .....  | 38 |
| Aide .....  | 38 |
| Licence.....  | 38 |

**AVERTISSEMENT****RISQUE D'ÉLECTROCUTION NE PAS OUVRIR**

Attention : Ne pas retirer le couvercle afin de réduire le risque d'électrocution.

Il n'y a pas de pièces réparables par l'utilisateur à l'intérieur. Veillez à ce que les réparations soient effectuées par du personnel de réparation.



Ce symbole signifie qu'une tension dangereusement élevée est présente à l'intérieur. Tout contact avec une partie quelconque du produit est dangereux.



Ce symbole vous rappelle des instructions importantes qui accompagnent l'utilisation et la maintenance de ce produit.

- Les fentes et les orifices dans le châssis, à l'arrière et en bas, sont conçus pour assurer la ventilation nécessaire.

Ne bloquez pas et ne couvrez pas ces fentes et ces orifices, afin de garantir le bon fonctionnement de cet appareil d'éviter qu'il ne surchauffe.

Ne couvrez pas les fentes et les orifices avec du tissu ou d'autres matériaux.

Ne placez pas l'appareil sur des lits, canapés, tapis ou autres surfaces similaires afin d'éviter de boucher les fentes et les orifices. Ne placez pas cet appareil dans des espaces restreints (par exemple des bibliothèques ou des armoires encastrées) à moins qu'une ventilation adéquate ne soit assurée. Un espace de 10 cm doit être maintenu entre le produit et le mur.

- Ne placez pas cet appareil à proximité ou au-dessus d'appareils de chauffage électrique ou de radiateurs, ou dans des endroits exposés à la lumière directe du soleil.

- Ne placez pas d'objets générateurs de chaleur (tels que bougies, cendriers, encens, gaz inflammables ou substances explosives, etc) à proximité du produit.

- Ne placez pas de récipients remplis d'eau sur cet appareil, car cela pourrait entraîner un risque d'incendie ou d'électrocution.

- N'exposez pas le produit à des substances huileuses ou à des agents chimiques, car cela pourrait entraîner la corrosion de l'enveloppe du produit.

- N'exposez pas cet appareil à la pluie ou à la proximité de l'eau (par exemple, près d'une baignoire, d'un évier, d'un évier de cuisine ou d'un évier de buanderie, dans un sous-sol humide ou près d'une piscine).

Si l'appareil est accidentellement mouillé, débranchez immédiatement le cordon d'alimentation ou l'adaptateur secteur, puis contactez rapidement un revendeur agréé pour obtenir de l'aide. Lorsque vous nettoyez le moniteur, veillez à utiliser un chiffon sec et doux sans substances volatiles. Avant de procéder au nettoyage, veillez à débrancher le cordon d'alimentation ou l'adaptateur électrique.

- Ne surchargez pas les prises murales, les rallonges ou les prises de courant intégrées, car cela pourrait provoquer un incendie ou une électrocution.

- Le cordon d'alimentation ou l'adaptateur doit être placé à un endroit où il ne risquera pas d'être piétiné ou écrasé par des objets situés au-dessus ou à côté. De plus, une attention particulière doit être accordée aux fils au niveau de la fiche, des prises de courant intégrées et de la sortie de l'appareil.

- Pour mieux protéger cet appareil en cas de foudre, ou lorsqu'il est laissé sans surveillance ou qu'il n'est pas utilisé pendant une longue période, débranchez le cordon d'alimentation ou l'adaptateur d'alimentation, et déconnectez le système de câbles.

Cela permet d'éviter d'endommager l'appareil en cas d'orage ou de surtension sur la ligne électrique. ---

Avant de brancher le cordon d'alimentation CA à l'adaptateur d'alimentation ou à l'interface d'alimentation du moniteur (selon le style du produit), assurez-vous que votre alimentation locale répond aux exigences de l'adaptateur d'alimentation ou de la tension d'entrée du moniteur. \*Veillez à ne pas insérer d'objets métalliques dans les orifices de l'appareil, car cela pourrait provoquer une électrocution.

- Ne touchez pas l'intérieur de l'appareil pour éviter tout risque d'électrocution. Seuls des techniciens qualifiés sont autorisés à ouvrir le couvercle de cet appareil.

- Assurez-vous que la fiche du cordon d'alimentation ou l'adaptateur électrique peut être correctement inséré dans la prise de courant. Lorsque vous débranchez le cordon d'alimentation, veillez à saisir fermement la fiche ou l'adaptateur d'alimentation et à le débrancher de la prise.

- Ne touchez pas le cordon d'alimentation ou l'adaptateur électrique avec les mains mouillées.

- Si l'appareil ne fonctionne pas normalement, en particulier s'il émet un bruit ou une odeur inhabituels, débranchez immédiatement la prise d'alimentation et contactez un revendeur ou un centre de service agréé pour obtenir de l'aide.



## AVERTISSEMENT ! Consignes de sécurité importantes

- Si vous prévoyez de ne pas utiliser le moniteur pendant une période prolongée, ou si vous vous absentez de votre domicile (en particulier si des enfants, des personnes âgées ou des personnes handicapées sont laissés seuls), veillez à débrancher la fiche d'alimentation ou l'adaptateur secteur de la prise de courant. L'accumulation de poussière peut provoquer des étincelles et de la chaleur au niveau du cordon d'alimentation ou de l'adaptateur électrique, ou entraîner une détérioration de l'isolation du cordon d'alimentation ou de l'adaptateur électrique, avec pour conséquence une électrocution, une fuite ou un incendie.
- Lorsque le moniteur a été déplacé d'un endroit froid à un endroit chaud, attendez un certain temps avant de le mettre sous tension, afin que la condensation à l'intérieur du moniteur puisse se dissiper et sécher.
- La tension d'alimentation est indiquée au dos du moniteur : DC 12V.
- Si vous prévoyez d'installer ce produit dans un environnement poussiéreux, très chaud ou très froid, très humide, contenant des produits chimiques ou dans des lieux utilisés 24h/24 (tels que les aéroports ou les gares, etc.), n'oubliez pas de contacter un centre de service agréé pour obtenir de l'aide. Dans le cas contraire, le moniteur risque d'être gravement endommagé.
- Veillez à n'utiliser que des fiches et des prises correctement mises à la terre. Une mauvaise mise à la terre peut entraîner une électrocution ou endommager l'équipement (pour des équipements de classe I uniquement).
- Pour couper l'alimentation de l'appareil, le cordon d'alimentation ou la fiche de l'adaptateur doivent être débranchés de l'appareil, de sorte que le cordon d'alimentation ou la fiche de l'adaptateur doivent être facilement accessibles.
- Il est interdit aux enfants de monter sur ce produit.
- Conservez les accessoires hors de portée des enfants.
- N'installez pas ce produit dans un endroit instable, comme une étagère bancale, un sol incliné ou un endroit soumis à des vibrations externes.
- Ne laissez pas tomber le produit et ne le soumettez pas à des chocs. Si le produit est endommagé, débranchez l'alimentation électrique et contactez le centre de service à temps pour obtenir de l'aide.

### ATTENTION

Risque d'explosion si la batterie est remplacée par un type de batterie incorrect.

- Remplacement d'une batterie par un type de batterie incorrect qui peut neutraliser une protection (par exemple, dans le cas de certains types de batteries au lithium) ;
- l'élimination d'une batterie dans le feu ou dans un four chaud, ou l'écrasement ou le découpage mécanique d'une batterie, qui peut entraîner une explosion ; \* le fait de laisser une batterie dans un environnement à température extrêmement élevée, qui peut entraîner une explosion ou la fuite d'un liquide ou d'un gaz inflammable ;
- Une batterie soumise à une pression d'air extrêmement basse qui peut entraîner une explosion ou la fuite d'un liquide ou d'un gaz inflammable.



### RECYCLAGE

Ce produit porte le symbole de tri sélectif des déchets d'équipements électriques et électroniques (DEEE). Cela signifie qu'il doit être traité conformément à la directive européenne 2012/19/EU afin d'être recyclé ou démantelé, pour minimiser son impact sur l'environnement.

L'utilisateur a le choix de donner son produit à un organisme de recyclage compétent ou au détaillant lorsqu'il achète un nouvel équipement électrique ou électronique.

Spécifications techniques :

Température de fonctionnement : -10 °C à 35 °C

Cet appareil est conforme aux limites d'exposition aux rayonnements fixées pour un environnement non contrôlé.

Cet appareil doit être installé et utilisé à une distance d'au moins 20 cm entre le radiateur et votre corps.

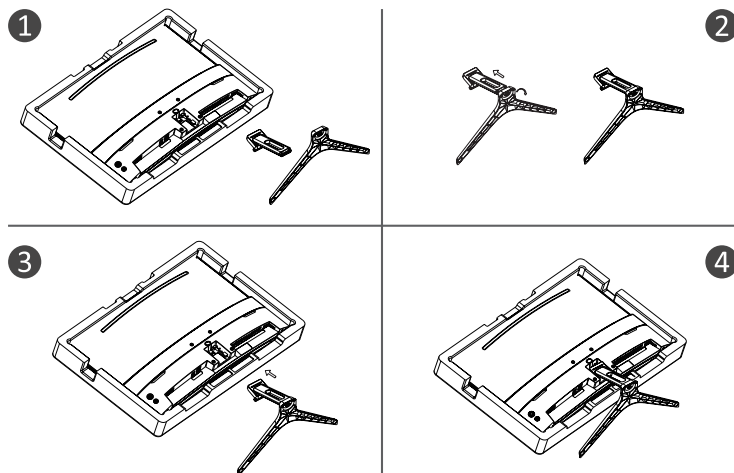
## Accessoires

- Vérifiez que tous les articles sont inclus avec votre moniteur. S'il manque des articles, veuillez contacter votre revendeur à temps.
- La couleur et la forme de l'article peuvent varier selon le modèle.
- Les câbles fournis peuvent varier en fonction du produit acheté.

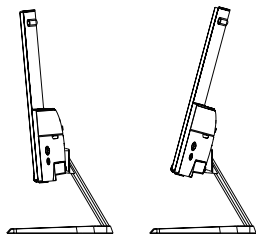
|               |                           |  |
|---------------|---------------------------|--|
| <b>Manuel</b> | Guide de démarrage rapide | Carte de garantie  |
| <b>Câble</b>  | Câble HDMI                | S'applique uniquement aux moniteurs équipés de ports HDMI. Tous les modèles ne sont pas livrés avec un câble HDMI. Cet accessoire peut être acheté séparément. |
| <b>Autres</b> | Adaptateur                |  |

## Installation de la base

(\*Les fonctions du moniteur peuvent varier en fonction du modèle. Le produit réel prévaudra)



## Régler l'angle



1. Les illustrations sont à titre de référence uniquement et il convient de se référer au moniteur réel.




2. Pour un plus grand confort, l'angle de l'écran peut être réglé de 5° vers l'avant et de 15° vers l'arrière.

3. Veillez à ne pas toucher ou appuyer sur la zone de l'écran lorsque vous réglez l'angle du moniteur.

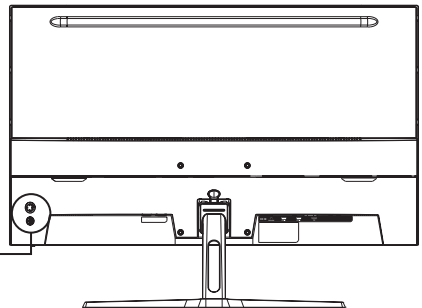
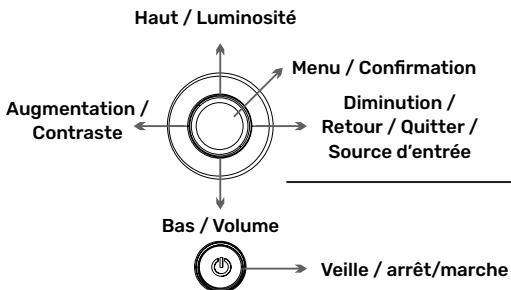
## Raccordement du câble

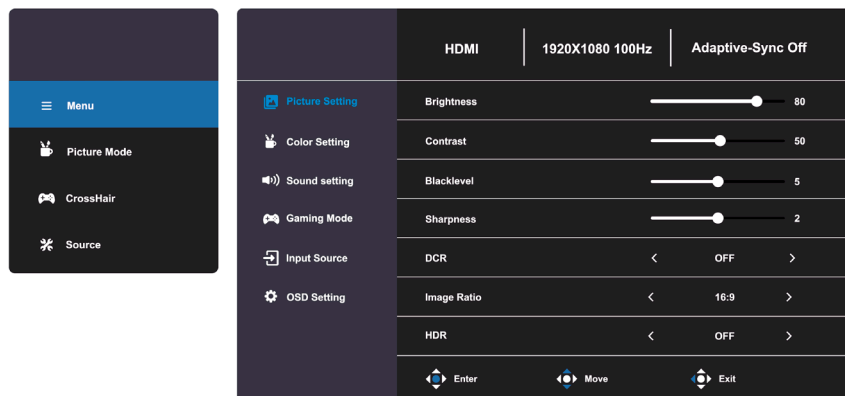
Les informations de configuration au dos du moniteur varient selon le modèle de produit. Lisez le contenu suivant avant de connecter le produit.

1. Avant de connecter le produit, veillez à vérifier les deux ports du câble de signal fourni, ainsi que la forme et la position des ports sur le produit et les appareils externes.
2. Avant de brancher le produit, veillez à débrancher le cordon d'alimentation ou l'adaptateur électrique du produit et des dispositifs externes afin d'éviter d'endommager le produit en raison de courts-circuits ou de surintensités.
3. Une fois tous les câbles de signal correctement connectés, rebranchez le cordon d'alimentation ou l'adaptateur d'alimentation au produit et aux dispositifs externes.
4. Après avoir effectué la connexion, veillez à lire le manuel pour vous familiariser avec les caractéristiques du produit, les précautions à prendre et les autres informations nécessaires à une utilisation correcte du produit.

|  |  |  |  |
|--|--|--|--|
| <br><b>HDMI</b> | Utilisation d'un câble HDMI pour connecter le port HDMI du produit au port HDMI OUT de l'ordinateur. | <br><b>EARPHONE</b> | <b>SORTIE ÉCOUTEUR</b> : Utilisez une fiche de casque pour vous connecter à la prise de sortie pour écouteurs (EARPHONE OUT).  |
| <br><b>DP</b>   | Connectez le câble DP de la LED au nommé DP IN à l'arrière du moniteur LED.                          | <b>DC IN</b>   | Utilisez l'adaptateur pour accéder au port. L'alimentation électrique de cette interface ne prend en charge que DC 12V. Utilisez l'adaptateur correspondant pour accéder, et consultez le centre de service autorisé pour l'adaptateur non original. |

## Panneau de commande





1. Pour afficher le menu OSD, appuyez sur le bouton central vers le bas pour accéder au menu OSD.
2. Appuyez sur les touches haut/bas pour déplacer les options de configuration, réglez-les avec les touches gauche et droite, et appuyez sur la touche centrale pour confirmer.
3. Pour revenir au menu précédent et sélectionner un élément de menu, appuyez sur le bouton vers la gauche.
4. Pour quitter le menu OSD, appuyez sur le bouton vers la gauche jusqu'à en sortir.

| Menu                  | Sous-menu              | Options  | Description                          |
|-----------------------|------------------------|--|--------------------------------------|
| Config image.Image    | Luminosité             | 0-100  | Régler la luminosité de l'écran      |
|                       | Contraste              | 0-100  | Régler le contraste de l'écran       |
|                       | Niveau de noir         | 0-10   | /                                    |
|                       | Netteté                | 0-4  | /                                    |
|                       | DCR                    | Off/On   | Activer / Désactiver la fonction DCR |
|                       | Rapport d'image        | Auto, 16:9, 4:3                                    | Définir le rapport d'aspect          |
|                       | HDR                    | Off/On   | Activer / Désactiver la fonction HDR |
| Paramètres de couleur | Mode image             | Energy Star/ Standard / Film / Bureau / FPS/       | Sélectionner mode d'image            |
|                       | Gamme                  | RTS/ RACING/SRGB Off / 1.8 / 2.0 / 2.2 / 2.2 / 2.4 |                                      |
|                       | Mode bleu faible       | Off / Faible / Moyen / Fort                        | Régler l'affichage bleu faible       |
|                       | Température de couleur | Chaud / Utilisateur / Froid / Normal               | Régler la température de la couleur  |
|                       | Rouge                  | 0-100  | Personnaliser les composants RGB     |
|                       | Vert                   | 0-100  |                                      |
|                       | Bleu                   | 0-100  |                                      |

| Menu             | Sous-menu                     | Options  | Description                                |
|------------------|-------------------------------|--|--|
| Réglages du son  | Volume                        | 0-100  | Régler le volume audio                     |
|                  | Sourdine                      | Off / On   | /  |
| Mode gaming      | Adaptive-Sync                 | Off / On   | /  |
|                  | Temps de réponse              | Off / Rapide / Extrême   | /  |
|                  | MPRT                          | Off / Icône 1 / Icône 2 / Icône 3 / Icône 4  | /  |
|                  | CrossHair                     | Off / 15:00 / 30:00 / 45:00 / 60:00  | /  |
|                  | Minuterie                     | Off / En haut à gauche / En haut à droite / En bas à gauche / En bas à droite  | /  |
|                  | Fréquence de rafraîchissement |  |  |
| Source d'entrée  | Auto                          | Off / On   | /  |
|                  | Sélection de l'entrée         | HDMI / DP  | Afficher la sélection d'entrée             |
| Réglage de l'OSD | Langue                        | English, Magyar, Polski, Nederlands, Čeština, Italiano, Deutsch, Français, Slovensčina, Español, Português, Românesc, Български. | Définir la langue de l'OSD                 |
|                  | Position H.                   | 0-100  | Régler la position horizontale             |
|                  | Position V.                   | 0-100  | Régler verticale                           |
|                  | Délai d'attente               | 0-60   | Définir la durée d'affichage de l'OSD      |
|                  | Transparence                  | 0-100  | Régler la valeur de transparence de l'OSD  |
|                  | DDC/CI                        | Off / On   | /  |
|                  | Arrêt automatique             | Off / On   | /  |
|                  | Remise à zéro                 | N/A  | Réinitialiser la configuration du moniteur |

## Autres

Fonctionnalités « Plug and Play » :

- Ce moniteur peut être installé sur n'importe quel système compatible Plug and Play.
- L'interaction entre le moniteur et le système d'exploitation de l'ordinateur permet d'optimiser les conditions de fonctionnement et les réglages du moniteur.
- Dans la plupart des cas, l'installation du moniteur est automatique, sauf si l'utilisateur choisit un autre paramètre.
- Pixels morts acceptables :
- L'écran de ce produit est fabriqué à l'aide d'un processus semi-conducteur avancé d'une précision de plus de 1 ppm (partie par million).
- Cependant, certains pixels peuvent être trop brillants ou noirs lors de l'affichage du rouge, du vert, du bleu ou du blanc. Il ne s'agit pas d'une mauvaise qualité, n'hésitez pas à l'utiliser !
- Cet équipement est un équipement informatique de classe B.
- Lorsque l'utilisateur regarde l'écran sous un angle différent, la lumière des LED peut apparaître sur le bord du cadre du produit. Ce phénomène n'est pas nocif pour le corps humain et n'affecte pas les caractéristiques et les performances du produit.

### Avertissement

**Ne placez jamais un moniteur dans un endroit instable. Un moniteur peut tomber et provoquer des blessures graves, voire mortelles. De nombreuses blessures, en particulier chez les enfants, peuvent être évitées en prenant de simples précautions :**

- 1. Utilisez les supports recommandés par le fabricant du moniteur.**
  - 2. N'utilisez que des meubles pouvant supporter le moniteur en toute sécurité.**
  - 3. Veillez à ce que le moniteur ne dépasse pas du bord du meuble qui le supporte.**
  - 4. Ne placez pas le moniteur sur un meuble haut (par exemple, une armoire ou une bibliothèque) sans fixer le meuble et le moniteur sur un support approprié.**
  - 5. Ne posez pas le moniteur sur du tissu ou d'autres matériaux qui pourraient se trouver entre le moniteur et le meuble d'appui.**
  - 6. Sensibilisez les enfants aux dangers qu'il y a à monter sur les meubles pour atteindre le moniteur ou ses commandes. Si vous conservez et placez ailleurs votre moniteur actuel, ces mêmes considérations sont applicables. Vis de fixation murale : 22-24 pouces (56-61 cm) M4 x 10 mm, 28-70 pouces (71-178 cm) M6 x 10 mm, 75 pouces (190 cm) M8 x 10 mm**
- Remarque : Ne pas suspendre en biais afin d'éviter tout risque de chute.**
- Remarque : En cas d'utilisation d'un support de montage mural, la hauteur d'installation ne doit pas dépasser 2 mètres.**

## Aide

Un écran noir apparaît / Impossible d'allumer le produit:

1. Vérifiez si l'adaptateur d'alimentation est correctement branché.
2. Vérifiez si l'adaptateur d'alimentation est normalement connecté à la prise 100-240V AC.
3. Vérifiez si les informations relatives au câble de détection du signal s'affichent à l'écran, vérifiez la connexion par câble entre le PC et ce produit.
4. Vérifiez si le câble HDMI est utilisé pour la connexion, si vous connectez le câble HDMI après le démarrage de l'ordinateur, ou débranchez et rebranchez le câble HDMI pendant l'utilisation de l'ordinateur. L'écran peut ne pas afficher d'image parce que certaines cartes graphiques ne peuvent pas émettre de signal. Dans ce cas, redémarrez le PC après avoir connecté le câble HDMI.

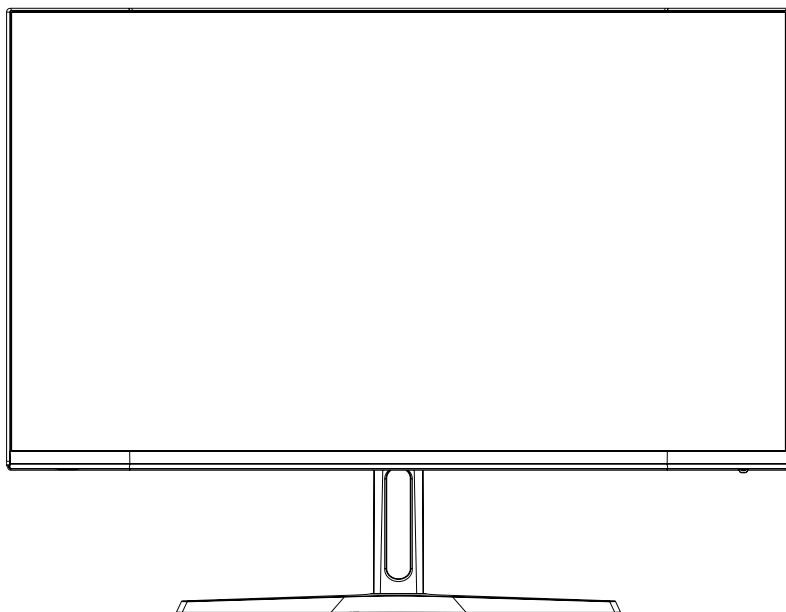
## Licence



Les termes HDMI et High-Definition Multimedia Interface HDMI et le logo HDMI sont des marques commerciales ou des marques déposées de HDMI License LLC aux États-Unis et dans d'autres pays.

# PcCom

## Manual do utilizador



### **Monitor para *gaming* de 27"**

Curvatura de sincronização adaptativa VA FHD 180 Hz

### **PCC-27180VA-CV**

Antes de utilizar este produto, leia atentamente o manual e guarde-o para referência futura. A cor e o aspeto podem variar consoante o modelo específico do produto.

As especificações estão sujeitas a alterações futuras sem aviso prévio para melhorar o desempenho.



## Índice

---

|  |    |
|--|----|
| Aviso! Instruções de segurança importantes ..... | 41 |
| Acessórios .....                                 | 43 |
| Instalação da base .....                         | 43 |
| Ajustar o ângulo.....                            | 43 |
| Ligação do cabo.....                             | 44 |
| Painel de controlo.....                          | 44 |
| Utilizar o menu OSD.....                         | 45 |
| Outro .....                                      | 47 |
| Ajuda.....                                       | 47 |
| Licença.....                                     | 47 |



## ATENÇÃO! Instruções importantes de segurança



**AVISO**



### RISCO DE CHOQUE ELÉTRICO NÃO ABRIR

Cuidado: Não retire a tampa para reduzir o risco de choque elétrico.

Não existem no interior peças que possam ser reparadas pelo utilizador. Assegure-se de que as reparações são efetuadas por pessoal de assistência técnica.



Este símbolo significa que está presente no interior uma tensão perigosamente elevada. Qualquer forma de contacto com qualquer peça no interior do produto é perigosa.



Este símbolo recorda-lhe as instruções importantes que acompanham o funcionamento e a manutenção deste produto.

- As ranhuras e os orifícios no chassi e na parte traseira e inferior foram concebidos para proporcionar a ventilação necessária.

Não bloqueie nem tape estas ranhuras e orifícios para garantir o funcionamento do produto e evitar o seu sobreaquecimento.

Não cubra as ranhuras e os orifícios com tecidos ou outros materiais.

Não coloque o aparelho sobre camas, sofás, tapetes ou outras superfícies semelhantes para evitar o entupimento das ranhuras e dos orifícios. Não coloque este aparelho em locais de acesso restrito (por exemplo, estantes ou armários embutidos), exceto se houver ventilação adequada. Deve ser mantida uma distância de 10 cm entre o produto e a parede.

- Não coloque este produto perto ou sobre aquecedores elétricos ou radiadores, nem em locais expostos à luz solar direta.

- Não coloque objetos geradores de calor (como velas, cinzeiros, incenso, gás inflamável ou substâncias explosivas, etc.) perto do produto.

- Não sobre carregue as tomadas de parede, as extensões ou os recetáculos de conveniência integrados, uma vez que tal pode resultar em incêndio ou choque elétrico.

- Não exponha o produto a substâncias oleosas ou a agentes químicos, uma vez que tal pode provocar a corrosão do invólucro do produto.

- Não exponha este produto à chuva nem o coloque perto de água (por exemplo, perto de uma banheira, lavatório, lava-loiças ou lavatório de roupa, numa cave húmida ou perto de uma piscina).

Se o produto se molhar acidentalmente, desligue imediatamente o cabo de alimentação ou o adaptador de alimentação e contacte prontamente um revendedor autorizado para obter mais assistência. Ao limpar o monitor, certifique-se de que utiliza um pano seco e macio que não contenha substâncias voláteis. Antes de limpar, certifique-se de que desliga o cabo de alimentação ou o adaptador de alimentação.

- Não sobrecarregue as tomadas de parede, as extensões ou os recetáculos de conveniência integrados, uma vez que tal pode resultar em incêndio ou choque elétrico.

- O cabo de alimentação ou o adaptador de corrente deve ser colocado num local onde não possa ser pisado ou apertado por objetos que se encontrem por cima ou ao lado do mesmo, e deve ser dada especial atenção aos fios da ficha, aos recetáculos de conveniência integrados e à tomada do produto.

- Para proteger melhor este produto em caso de trovoadas ou quando é deixada sem vigilância ou sem utilização durante um longo período de tempo, desligue o cabo de alimentação ou o adaptador de alimentação e desconecte o sistema de cabos.

Tal evita danos no produto durante uma trovoadas ou no caso de um pico de energia na linha elétrica. ----

Antes de ligar o cabo de alimentação CA ao adaptador de alimentação ou à interface de alimentação do monitor (sujeito ao estilo do produto atual), certifique-se de que a sua fonte de alimentação local cumpre os requisitos da tensão de entrada do adaptador de alimentação ou do monitor. \*Certifique-se de que não insere objetos metálicos nos orifícios deste produto, caso contrário pode provocar o perigo de choque elétrico.

- Não toque no interior deste produto para evitar choques elétricos. Apenas os técnicos qualificados estão autorizados a abrir a tampa deste produto.

- Certifique-se de que a ficha do cabo de alimentação ou o adaptador de alimentação pode ser inserido com segurança na tomada. Quando desligar o cabo de alimentação, certifique-se de que agarra firmemente a ficha de alimentação ou o adaptador de alimentação e desligue-o da tomada.

- Não toque no cabo de alimentação ou no adaptador de alimentação com as mãos molhadas.

- Se o produto não funcionar normalmente, especialmente se emitir algum som ou cheiro involuntário, desligue imediatamente a ficha da tomada e contacte um revendedor autorizado ou um centro de assistência para obter mais assistência.

## ATENÇÃO! Instruções importantes de segurança

- Se planejar deixar o monitor sem utilização durante um longo período de tempo ou se se ausentar de casa (especialmente se houver crianças, idosos ou pessoas com deficiência sozinhas), certifique-se de que desliga a ficha de alimentação ou o adaptador de alimentação da tomada. O pó acumulado pode provocar faíscas e calor no cabo de alimentação ou no adaptador de corrente ou deteriorar o isolamento do cabo de alimentação ou do adaptador de corrente, provocando choques elétricos, fugas ou incêndios.
- Depois de o monitor ser transferido de um local de baixa temperatura para uma área quente, deve ser colocado durante um período de tempo antes de o ligar, para que a condensação no interior do monitor possa ser totalmente dissipada e secar.
- A tensão de alimentação está marcada na parte de trás do monitor, CC 12 V.
- Se pretender instalar este produto em ambientes com pó, temperaturas altas ou baixas, humidade elevada, produtos químicos e locais de utilização 24 horas por dia (como aeroportos ou estações de comboios, etc.), não se esqueça de contactar um centro de assistência autorizado para obter mais assistência. Caso contrário, o monitor pode ficar gravemente danificado.
- Certifique-se de que utiliza apenas fichas e tomadas devidamente ligadas à terra. Uma ligação à terra deficiente pode resultar em choques elétricos ou danos no equipamento (apenas para equipamento da Classe I).
- Para desligar a alimentação do aparelho, é necessário desligar o cabo de alimentação ou a ficha do adaptador de corrente do produto, pelo que o cabo de alimentação ou a ficha do adaptador devem estar facilmente acessíveis.
- As crianças estão proibidas de subir para cima deste produto.
- Mantenha as peças acessórias fora do alcance das crianças.
- Não instale este produto num local instável, como uma prateleira instável, um piso inclinado ou um local sujeito a vibrações externas.
- Não deixe cair o produto nem o sujeito a choques. Se o produto estiver danificado, desligue a fonte de alimentação e contacte atempadamente o centro de assistência para obter mais assistência.

### CUIDADO

Risco de explosão se a bateria for substituída por uma do tipo incorreto.

- Substituição de uma bateria por uma do tipo incorreto que pode anular uma proteção (por exemplo, no caso de alguns tipos de baterias de lítio);
- A eliminação de uma bateria no fogo ou num forno quente, ou o esmagamento ou corte mecânico de uma bateria, que pode provocar uma explosão; \* deixar uma bateria num ambiente com temperaturas extremamente elevadas, o que pode provocar uma explosão ou a fuga de líquidos ou gases inflamáveis;
- Uma bateria sujeita a uma pressão de ar extremamente baixa que pode provocar uma explosão ou a fuga de líquido ou gás inflamável.



### RECICLAGEM

Este produto tem o símbolo de triagem seletiva para resíduos de equipamentos elétricos e eletrónicos (REEE). Isto significa que este produto deve ser manuseado em conformidade com a diretiva europeia 2012/19/UE, a fim de ser reciclado ou desmontado para minimizar o seu impacto no ambiente.

O utilizador tem a opção de entregar o seu produto a uma organização de reciclagem competente ou ao retalhista quando compra um novo equipamento elétrico ou eletrónico.

Especificações técnicas:

Temperatura de funcionamento: -10 °C-35 °C

Este equipamento está em conformidade com os limites de exposição à radiação estabelecidos para um ambiente não controlado.

Este equipamento deve ser instalado e utilizado com uma distância mínima de 20 cm entre o radiador e o seu corpo.

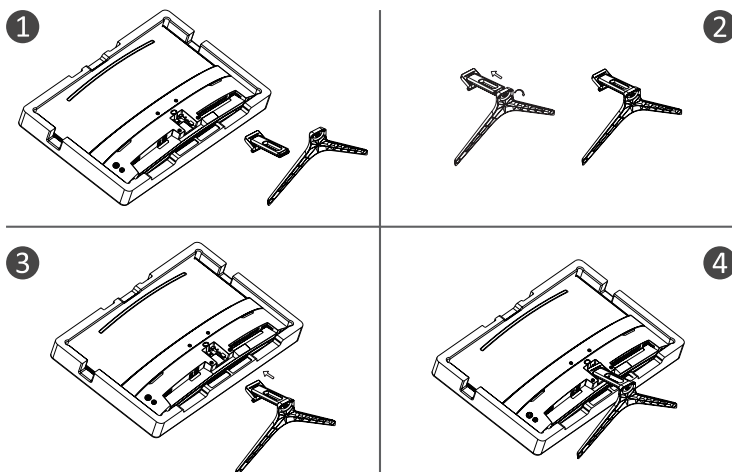
## Acessórios

- Verifique se todos os itens estão incluídos no conjunto do seu monitor. Se faltarem itens, contacte atempadamente o seu revendedor.
- A cor e a forma do artigo podem variar consoante o modelo.
- Os cabos fornecidos podem variar consoante o produto adquirido.

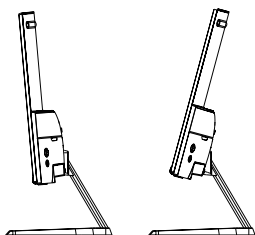
|               |                       |  |
|---------------|-----------------------|--|
| <b>Manual</b> | Guia de início rápido | Cartão de garantia   |
| <b>Cabo</b>   | Cabo HDMI             | Aplica-se apenas a monitores com portas HDMI.<br>Nem todos os modelos são fornecidos com um cabo HDMI, pelo que este acessório pode ser adquirido separadamente. |
| <b>Outros</b> | Adaptador             |  |

## Instalação da base

(\*As funções do monitor podem variar consoante o modelo, prevalecendo o produto real)



## Ajustar o ângulo






1. Os desenhos servem apenas para referência e devem ser consultados no monitor.
2. O ângulo do ecrã pode ser ajustado em 5° para a frente e 15° para trás, para um ajuste confortável.
3. Tenha cuidado para não tocar ou pressionar a área do ecrã quando ajustar o ângulo do monitor.

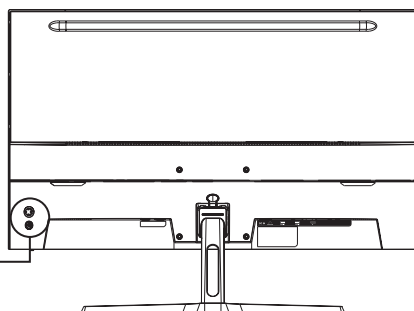
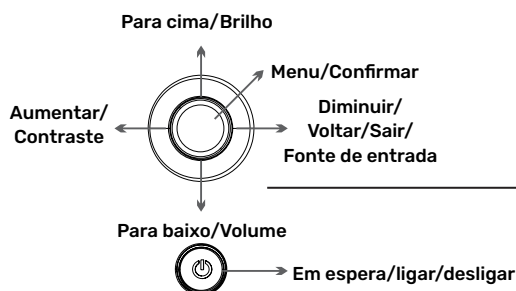
## Ligação do cabo

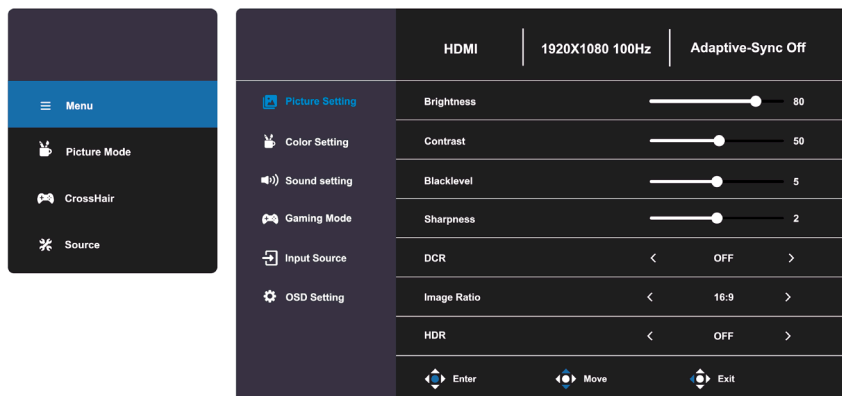
As informações de configuração na parte posterior do monitor variam consoante o modelo do produto. Leia os seguintes conteúdos antes de ligar o produto.

1. Antes de ligar o produto, certifique-se de que verifica as duas portas do cabo de sinal fornecido, bem como a forma e a posição das portas no produto e nos dispositivos externos.
2. Antes de ligar o produto, certifique-se de que retira o cabo de alimentação ou o adaptador de alimentação do produto e dos dispositivos externos para evitar danos no produto devido a curto-circuitos ou sobretensão. 3. Depois de todos os cabos de sinal estarem corretamente ligados, ligue o cabo de alimentação ou o adaptador de alimentação ao produto e aos dispositivos externos.
4. Após concluir a ligação, certifique-se de que lê o manual para se familiarizar com as características do produto, as precauções e outras informações necessárias para o utilizar corretamente.

|  |   |  |   |
|--|---|--|---|
|  <p><b>HDMI</b></p> | <p>Utilizar um cabo HDMI para ligar a porta HDMI do produto à porta "HDMI OUT" do PC.</p> |  <p><b>EARPHONE</b></p> | <p>SAÍDA DE AUSCULTADORES: Utilize uma ficha de auscultadores para ligar à tomada "EARPHONE OUT".</p>   |
|  <p><b>DP</b></p>   | <p>Ligue o cabo DP do LED à porta chamada "DP IN" na parte traseira do monitor LED.</p>   | <p><b>DC IN</b></p>  | <p>Utilize o adaptador para aceder à porta, a fonte de alimentação desta interface apenas suporta CC 12 V, utilize o adaptador correspondente para aceder, consulte o centro de assistência autorizado para o adaptador não original.</p> |

## Painel de controlo





1. Para ver o menu OSD, prima o botão central para baixo para aceder ao menu OSD.
2. Prima as teclas para cima/para baixo para mover as opções de configuração, ajuste-as com as teclas esquerda e direita e prima a tecla central para baixo para confirmar.
3. Para voltar ao menu anterior e selecionar um item de menu, prima o botão para a esquerda.
4. Para sair do menu OSD, prima o botão para a esquerda até sair.

| Menu                | Submenu            | Opções  | Descrição                      |
|---------------------|--------------------|---|--------------------------------|
| Imagem Config.Image | Brilho             | 0-100   | Ajustar a luminosidade do ecrã |
|                     | Contraste          | 0-100   | Ajustar o contraste do ecrã    |
|                     | Nível de preto     | 0-10  | /                              |
|                     | Nitidez            | 0-4   | /                              |
|                     | DCR                | Ligar/Desligar  | Ativar/desativar a função DCR  |
|                     | Rácio de imagem    | Automático, 16:9, 4:3                                   | Definir o rácio de aspeto      |
|                     | HDR                | Ligar/Desligar  | Ativar/desativar a função HDR  |
| Definições de cor   | Modo de imagem     | Energy Star/Padrão/Filme/Escritório/FPS/RTS/RACING/SRGB | Selecionar o modo de imagem    |
|                     | Jogo               | Desligado/1.8/2.0/2.2/2.2/2.4                           |                                |
|                     | Modo azul baixo    | Desligado/Fraco/Médio/Forte                             | Ajustar tom azul baixo no ecrã |
|                     | Temperatura de cor | Quente/Utilizador/Frio/Normal                           | Ajustar a temperatura da cor   |
|                     | Vermelho           | 0-100   | Personalizar componentes RGB   |
|                     | Verde              | 0-100   |                                |
|                     | Azul               | 0-100   |                                |

## Utilizar o menu OSD

| Menu              | Submenu                 | Opções  | Descrição                               |
|-------------------|-------------------------|---|---|
| Definições de som | Volume                  | 0-100   | Ajustar o volume do áudio               |
|                   | Sem som                 | Ligado/Desligado  | /                                       |
| Modo de jogo      | Sincronização           | Ligado/Desligado  | /                                       |
|                   | adaptativa              | Desligado/Rápido/Extremo  | /                                       |
|                   | Tempo de resposta       | Ligado/Desligado  | /                                       |
|                   | MPRT                    | Desligado/Ícone1/Ícone2/Ícone 3/Ícone 4   | /                                       |
|                   | Mira                    | Desligado/15:00/30:00/45:00/60:00   | /                                       |
|                   | Temporizador            |   |   |
|                   | Taxa de atualização     | Desligado/Superior esquerdo/Superior direito/Inferior esquerdo/Inferior direito   | /                                       |
| Fonte de entrada  | Automático              | Ligado/Desligado  | /                                       |
|                   | Seleção de entrada      | HDMI/DP   | Mostrar a entrada selecionada           |
| Definição OSD     | Idioma                  | English, Magyar, Polski, Nederlands, Čeština, Italiano, Deutsch, Français, Slovensčina, Espanhol, Português, Românesc, Български, | Definir o idioma do OSD                 |
|                   | Posição-H               | 0-100   | Ajustar a posição horizontal            |
|                   | Posição-V               | 0-100   | Ajustar verticalmente                   |
|                   | Tempo limite            | 0-60  | Definir o tempo de permanência do OSD   |
|                   | Transparência           | 0-100   | Ajustar o valor da transparência do OSD |
|                   | DDC/CI                  | Ligado/Desligado  | /                                       |
|                   | Encerramento automático | Ligado/Desligado  | /                                       |
|                   | Reiniciar               | N/A   | Repor a configuração do monitor         |

## Outro

### Caraterísticas *Plug and Play*:

- Este monitor pode ser instalado em qualquer sistema Plug and Play compatível.
- A interação entre o monitor e o sistema informático permite otimizar as condições de funcionamento e as definições do monitor.
- Na maioria dos casos, a instalação do monitor será automática, a menos que o utilizador escolha outra definição.
- Pixéis mortos aceitáveis:
- O ecrã deste produto é fabricado através de um processo avançado de semicondutores com uma precisão superior a 1 ppm (partes por milhão).
- No entanto, alguns pixéis podem ser demasiado brilhantes ou pretos quando visualizados a vermelho, verde, azul ou branco, o que não significa má qualidade. Utilize sem quaisquer preocupações!
- Este equipamento é um equipamento de TI de classe B.
- À medida que o ângulo de visualização do utilizador muda, a luz LED pode ser vista na extremidade da estrutura do produto, mas este fenómeno não é prejudicial para o corpo humano e não afeta as caraterísticas e o desempenho do produto.

### Aviso

**Nunca coloque um monitor num local instável. Um monitor pode cair e provocar lesões pessoais graves ou a morte. Muitas lesões, especialmente em crianças, podem ser evitadas tomando precauções simples, como por exemplo:**

1. Utilize os suportes recomendados pelo fabricante do monitor.
2. Utilize apenas mobiliário que possa suportar o monitor em segurança.
3. Certifique-se de que o monitor não fica saliente em relação à extremidade do mobiliário de apoio.
4. Não coloque o monitor em cima de mobiliário alto (por exemplo, armários ou estantes) sem prender o mobiliário e o monitor a um suporte adequado.
5. Não coloque o monitor sobre tecidos ou outros materiais que possam estar localizados entre o monitor e o mobiliário de apoio.
6. Eduque as crianças sobre os perigos de subir para cima de móveis para alcançar o monitor ou os seus controlos. Se o monitor existente for mantido e transferido, devem aplicar-se as mesmas considerações acima. Parafusos de fixação à parede: M4 x 10 mm de 22-24 polegadas, M6 x 10 mm de 28-70 polegadas, M8 x 10 mm de 75 polegadas

**Nota: Não pendure em ângulo para evitar o risco de queda.**

**Nota: Quando se utiliza um suporte de montagem na parede, a altura de instalação não pode exceder 2 m.**

## Ajuda

Aparece um ecrã preto/Não é possível ligar o produto:

1. Verifique se o adaptador de corrente está ligado corretamente.
2. Verifique se o adaptador de corrente está normalmente ligado à tomada de 100-240 V CA.
3. Verifique se a informação do sinal do cabo de deteção é apresentada no ecrã, verifique a ligação por cabo entre o PC e este produto.
4. Verifique se o cabo HDMI é utilizado para a ligação, se ligar o cabo HDMI depois de o PC ser iniciado, ou desligar e voltar a ligar o cabo HDMI enquanto utiliza o PC, o ecrã pode não apresentar uma imagem porque algumas placas gráficas não conseguem emitir um sinal. Neste caso, reinicie o PC depois de ligar o cabo HDMI.

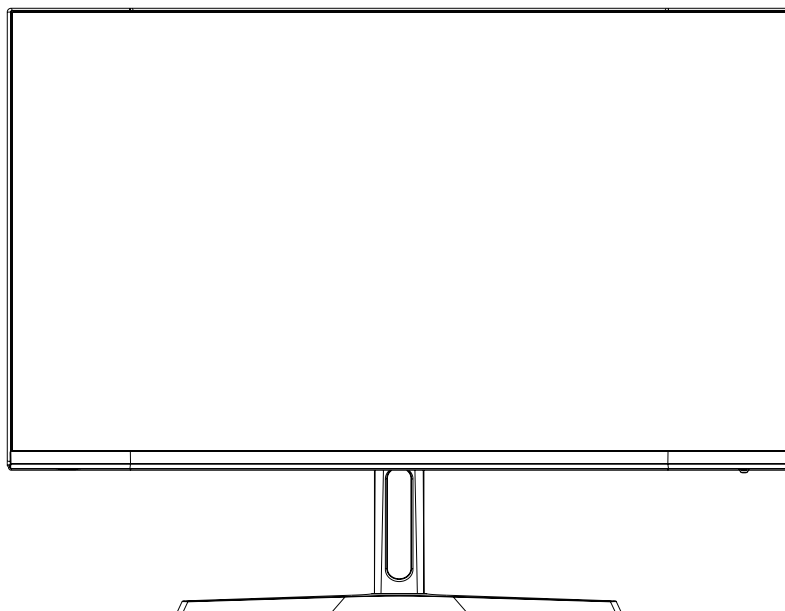
## Licença



Os termos HDMI e *High-Definition Multimedia Interface* HDMI e o logótipo HDMI são marcas comerciais ou marcas comerciais registadas da HDMI License LLC nos Estados Unidos e noutros países.

*PcCom*

## **BEDIENUNGSANLEITUNG**



### **27" Gaming-Monitor**

VA FHD 180 Hz Adaptive Sync-Kurve

**PCC-27180VA-CV**

Bevor Sie dieses Gerät verwenden, lesen Sie bitte dieses Handbuch sorgfältig durch und bewahren Sie es zum späteren Nachschlagen auf. Farbe und Aussehen können je nach Produktmodell variieren.

Die Spezifikationen können in Zukunft ohne vorherige Ankündigung geändert werden, um die Leistung zu verbessern.





## Inhaltsverzeichnis

---

|  |    |
|--|----|
| Warnung! Wichtige Sicherheitshinweise..... | 50 |
| Zubehör.....                               | 52 |
| Installation des Sockels .....             | 52 |
| Anpassung des Winkels .....                | 52 |
| Kabelanschluss .....                       | 53 |
| Schalttafel .....                          | 53 |
| Verwenden des OSD-Menüs .....              | 54 |
| Andere.....                                | 56 |
| Hilfe .....                                | 56 |
| Lizenz .....                               | 56 |

**WARNUNG! Wichtige Sicherheitshinweise****WARNUNG****GEFAHR EINES STROMSCHLAGS NICHT ÖFFNEN**

Vorsicht: Entfernen Sie die Abdeckung nicht, um das Risiko eines Stromschlags zu verringern.

Im Inneren befinden sich keine vom Benutzer zu wartenden Teile. Stellen Sie sicher, dass Reparaturen von Servicepersonal durchgeführt werden.



Dieses Symbol bedeutet, dass im Inneren eine gefährlich hohe Spannung besteht. Jede Form des Kontakts mit einem Teil im Inneren des Produkts ist gefährlich.



Dieses Symbol erinnert Sie an wichtige Anweisungen in Verbindung mit dem Betrieb und der Wartung dieses Produkts.

- Schlitz- und Löcher im Gehäuse sowie an der Rück- und Unterseite sorgen für die notwendige Belüftung. Blockieren oder decken Sie diese Schlitz- und Löcher nicht ab, um die Funktionsfähigkeit dieser Maschine zu gewährleisten und eine Überhitzung zu vermeiden.
- Decken Sie Schlitz- und Löcher nicht mit Tüchern oder anderen Materialien ab.
- Stellen Sie die Maschine nicht auf Betten, Sofas, Teppiche oder ähnliche Oberflächen, um ein Verstopfen der Schlitz- und Löcher zu vermeiden. Stellen Sie dieses Gerät nicht in engen Räumen (z. B. Bücherregale oder Einbauschränke) auf, es sei denn, es ist für eine angemessene Belüftung gesorgt. Zwischen dem Produkt und der Wand sollte ein Abstand von 10 cm eingehalten werden.
- Stellen Sie dieses Gerät nicht in der Nähe oder über elektrischen Heizungen oder Heizkörpern oder an Orten auf, die direkter Sonneneinstrahlung ausgesetzt sind.
- Stellen Sie keine wärmeerzeugenden Gegenstände (wie Kerzen, Aschenbecher, Räucherstäbchen, brennbare Gase oder explosive Substanzen usw.) in die Nähe des Geräts.
- Stellen Sie keine mit Wasser gefüllten Behälter auf diese Maschine, da dies zu einer Brand- oder Stromschlaggefahr führen kann.
- Setzen Sie das Gerät keinen öligen Substanzen oder chemischen Mitteln aus, da dies zu Korrosion des Produktgehäuses führen kann.
- Setzen Sie dieses Gerät nicht Regen oder Wasser aus (z. B. in der Nähe einer Badewanne, eines Waschbeckens, einer Küchenspüle oder eines Wäschewaschbeckens, in einem nassen Keller oder in der Nähe eines Schwimmbads).
- Wenn das Gerät versehentlich nass wird, entfernen Sie bitte sofort das Netzkabel oder das Netzteil und wenden Sie sich dann umgehend an einen autorisierten Händler, um weitere Unterstützung zu erhalten. Achten Sie bei der Reinigung des Monitors darauf, ein trockenes, weiches Tuch zu verwenden, das keine flüchtigen Substanzen enthält. Achten Sie vor der Reinigung darauf, das Netzkabel oder das Netzteil zu entfernen.
- Überlasten Sie Steckdosen, Verlängerungskabel oder integrierte Steckdosen nicht, da dies zu einem Brand oder Stromschlag führen kann.
- Das Netzkabel oder das Netzteil sollte an einem Ort verlegt werden, an dem es nicht von anderen Gegenständen bedeckt oder eingeklemmt werden kann. Besondere Vorsicht sollte mit den Drähten am Stecker, an den integrierten Anschlüssen sowie am Stromanschluss des Geräts umgegangen werden.
- Um das Gerät bei Gewitter oder wenn es längere Zeit unbeaufsichtigt oder unbenutzt gelassen wird, besser zu schützen, entfernen Sie bitte das Netzkabel oder das Netzteil und trennen Sie das Kabelsystem.
- Dadurch wird eine Beschädigung der Maschine bei einem Gewitter oder einem Stromstoß auf der Stromleitung vermieden. ---- Bevor Sie das Netzkabel an das Netzteil oder die Stromversorgungsschnittstelle des Monitors anschließen (abhängig von der tatsächlichen Produktart), stellen Sie bitte sicher, dass Ihr lokales Netzteil die Anforderungen des Netzteils oder der Eingangsspannung des Monitors erfüllt. \*Achten Sie darauf, keine Metallgegenstände in die Löcher des Geräts zu stecken, da sonst die Gefahr eines Stromschlags besteht.
- Berühren Sie nicht das Innere der Maschine, um einen Stromschlag zu vermeiden. Nur qualifizierte Techniker dürfen die Abdeckung dieser Maschine öffnen.
- Stellen Sie sicher, dass der Netzstecker oder das Netzteil fest in die Steckdose eingesteckt werden kann. Achten Sie beim Ziehen des Netzkabels darauf, den Netzstecker oder das Netzteil fest zu fassen und aus der Steckdose zu ziehen.
- Berühren Sie das Netzkabel oder das Netzteil nicht mit nassen Händen.
- Wenn das Gerät nicht normal funktioniert, insbesondere wenn es ungewöhnliche Geräusche oder Gerüche von sich gibt, ziehen Sie sofort den Netzstecker und wenden Sie sich an einen autorisierten Händler oder ein Servicecenter, um weitere Unterstützung zu erhalten.

## WARNUNG! Wichtige Sicherheitshinweise

- Wenn Sie vorhaben, den Monitor über einen längeren Zeitraum unbenutzt zu lassen, oder wenn Sie nicht zu Hause sind (insbesondere, wenn Kinder, ältere Menschen oder Menschen mit Behinderungen allein gelassen werden), ziehen Sie den Netzstecker oder das Netzteil aus der Steckdose. Angesammelter Staub kann vom Netzkabel oder Netzteil ausgehende Funken und Hitze verursachen oder dazu führen, dass sich die Isolierung des Netzkabels oder des Netzteils verschlechtert, was zu Stromschlägen, Lecks oder Bränden führen kann.
- Nachdem der Monitor von einem Ort mit niedriger Temperatur in einen warmen Bereich gebracht wurde, sollte er vor dem Einschalten für eine gewisse Zeit aufgestellt werden, damit das Kondenswasser im Inneren des Monitors vollständig ablaufen und trocknen kann.
- Die Versorgungsspannung wird auf der Rückseite des Monitors angezeigt, DC 12 V.
- Wenn Sie dieses Produkt in staubigen, warmen, kalten, feuchten oder chemikalienhaltigen Umgebungen und 24-Stunden-Einsatzorten (z. B. Flughäfen oder Bahnhöfen usw.) installieren möchten, wenden Sie sich an ein autorisiertes Servicecenter, um weitere Unterstützung zu erhalten. Andernfalls kann der Monitor schwer beschädigt werden.
- Achten Sie darauf, nur ordnungsgemäß geerdete Stecker und Steckdosen zu verwenden. Eine schlechte Erdung kann zu Stromschlägen oder Geräteschäden führen. (nur für Geräte der Klasse I)
- Um das Gerät von der Stromversorgung zu trennen, muss das Netzkabel oder der Netzstecker vom Gerät abgezogen werden, sodass das Netzkabel oder der Adapterstecker leicht zugänglich ist.
- Kindern ist es untersagt, auf dieses Produkt zu klettern.
- Bewahren Sie die Zubehörteile außerhalb der Reichweite von Kindern auf.
- Installieren Sie dieses Produkt nicht an einem instabilen Ort, z. B. auf einem wackeligen Regal, einem schrägen Boden oder an einem Ort, der externen Vibrationen ausgesetzt ist.
- Lassen Sie das Produkt nicht fallen und setzen Sie es keinen Stößen aus. Wenn das Produkt beschädigt ist, trennen Sie bitte die Stromversorgung und wenden Sie sich rechtzeitig an das Servicecenter, um weitere Unterstützung zu erhalten.

### VORSICHT

Explosionsgefahr, wenn die Batterie durch einen falschen Batterietyp ersetzt wird.

- Austausch einer Batterie durch einen falschen Typ, der eine Schutzmaßnahme außer Kraft setzen kann (z. B. bei einigen Lithiumbatterietypen);
- Entsorgung einer Batterie ins Feuer oder in einen heißen Ofen oder mechanisches Zerkleinern oder Schneiden einer Batterie, die zu einer Explosion führen kann; \* eine Batterie in einer Umgebung mit extrem hohen Temperaturen zu belassen, die zu einer Explosion oder zum Austreten von brennbaren Flüssigkeiten oder Gasen führen kann;
- Eine Batterie, die einem extrem niedrigen Luftdruck ausgesetzt ist, der zu einer Explosion oder zum Austreten von brennbaren Flüssigkeiten oder Gasen führen kann.

### RECYCLING

Dieses Produkt trägt das Symbol für die selektive Sortierung von Elektro- und Elektronik-Altgeräten (WEEE). Das bedeutet, dass dieses Produkt gemäß der europäischen Richtlinie 2012/19/EU gehandhabt werden muss, azu minimieren.

Der Nutzer hat die Wahl, sein Produkt beim Kauf eines neuen Elektro- oder Elektronikgeräts an eine zuständige Recyclingorganisation oder an den Händler abzugeben.



Technische Daten:

Betriebstemperatur: -10–35 °C

Dieses Gerät entspricht den Grenzwerten für die Strahlenbelastung, die für eine unkontrollierte Umgebung festgelegt wurden.

Dieses Gerät sollte mit einem Mindestabstand von 20 cm zwischen dem Heizkörper und Ihrem Körper installiert und betrieben werden.

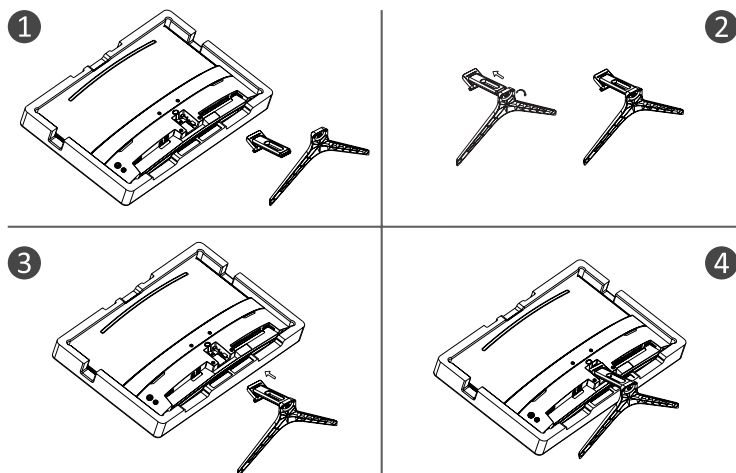
## Zubehör

- Bitte prüfen Sie, ob alle Teile in Ihrem Monitor-Set enthalten sind. Sollten Teile fehlen; wenden Sie sich bitte rechtzeitig an Ihren Händler.
- Artikelfarbe und -form können je nach Modell variieren.
- Die Anzahl der mitgelieferten Kabel kann je nach gekauftem Produkt variieren.

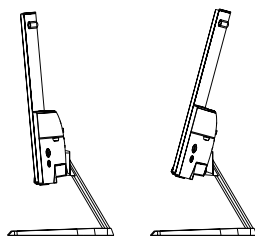
|                     |               |  |
|---------------------|---------------|--|
| <b>M = manuell)</b> | Kurzanleitung | Garantiekarte  |
| <b>Kabel</b>        | HDMI-Kabel    | Gilt nur für Monitore mit HDMI-Anschlüssen.<br>Nicht alle Modelle werden mit einem HDMI-Kabel geliefert. Sie können dieses Zubehör separat erwerben. |
| <b>Andere</b>       | Adapter       |  |

## Installation des Sockels

(\*Die Funktionen des Monitors können je nach Modell variieren, es gilt das tatsächliche Produkt)



## Anpassung des Winkels



1. Die Zeichnungen dienen nur als Referenz. Bitte beachten Sie den tatsächlichen Monitor.




2. Der Winkel des Bildschirms kann für höheren Komfort um 5° nach vorne und 15° nach hinten geneigt werden.

3. Achten Sie darauf, den Bildschirmbereich nicht zu berühren oder dagegen zu drücken, wenn Sie den Winkel des Monitors einstellen.

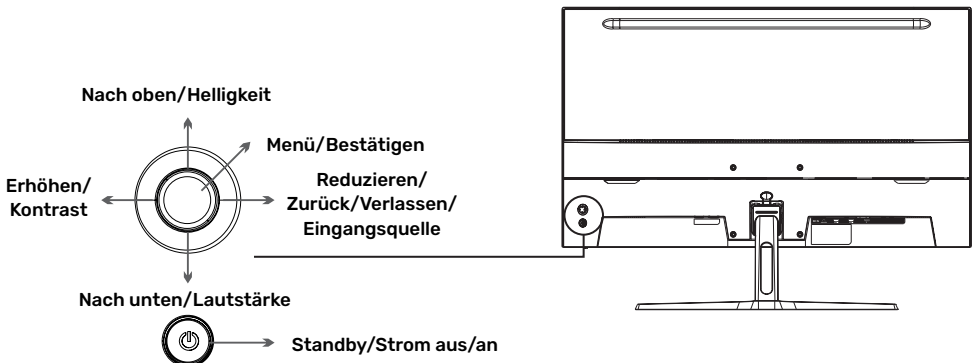
## Kabelanschluss

Die Konfigurationsinformationen auf der Rückseite des Monitors variieren je nach Produktmodell. Lesen Sie den folgenden Inhalt, bevor Sie das Produkt anschließen.

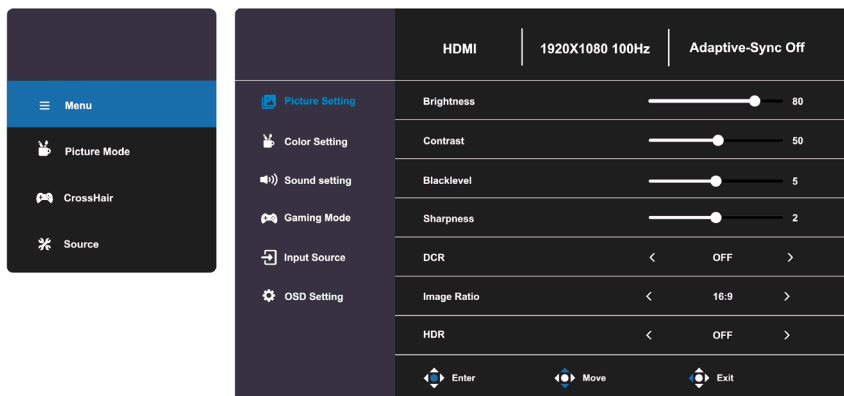
- Überprüfen Sie vor dem Anschließen des Produkts unbedingt die beiden Anschlüsse des mitgelieferten Signalkabels sowie die Form und Position der Anschlüsse am Produkt und an externen Geräten.
- Entfernen Sie vor dem Anschließen des Produkts das Netzkabel oder das Netzteil vom Produkt und von externen Geräten, um Schäden am Produkt durch Kurzschlüsse oder Überstrom zu vermeiden.
- Nachdem alle Signalkabel ordnungsgemäß angeschlossen sind, schließen Sie das Netzkabel oder das Netzteil wieder an das Produkt und die externen Geräte an.
- Lesen Sie nach Abschluss der Verbindung unbedingt das Handbuch, um sich mit den Produktfunktionen, Vorsichtsmaßnahmen und anderen Informationen vertraut zu machen, die für die ordnungsgemäße Verwendung des Produkts erforderlich sind.

|  |  |  |   |
|--|--|--|---|
|  <p><b>HDMI</b></p> | Verwenden Sie ein HDMI-Kabel, um den HDMI-Anschluss des Produkts mit dem HDMI-OUT-Anschluss des PCs zu verbinden.  |  <p><b>EARPHONE</b></p> | <b>KOPFHÖRERAUSGANG:</b> Verwenden Sie einen Headset-Stecker, um eine Verbindung zur EARPHONE-OUT-Buchse herzustellen.  |
|  <p><b>DP</b></p>   | Bitte verbinden Sie das DP-Kabel der LED mit dem Anschluss mit dem Namen DP IN auf der Rückseite des LED-Monitors. | <b>DC IN</b>   | Verwenden Sie den Adapter, um auf den Anschluss zuzugreifen, da das Netzteil dieser Schnittstelle nur DC 12 V unterstützt. Verwenden Sie den passenden Adapter für den Zugriff. Bitte wenden Sie sich an das autorisierte Servicecenter für den nicht originalen Adapter. |

## Bedienfeld



## Verwenden des OSD-Menüs



1. Um das OSD-Menü aufzurufen, drücken Sie die mittlere Taste.
2. Drücken Sie die Auf-/Ab-Tasten, um die Konfigurationsoptionen zu verschieben. Passen Sie sie mit der linken und rechten Taste an und drücken Sie zur Bestätigung die mittlere Taste.
3. Um zum vorherigen Menü zurückzukehren und einen Menüpunkt auszuwählen, drücken Sie die Taste nach links.
4. Um das OSD-Menü zu verlassen, drücken Sie die Taste nach links, bis Sie das Menü verlassen.

| Menü              | Untermenü      | Optionen   | Beschreibung                     |
|-------------------|----------------|--|----------------------------------|
| Bild Config.Image | Helligkeit     | 0-100  | Anpassen der Displayhelligkeit   |
|                   | Kontrast       | 0-100  | Displaykontrast anpassen         |
|                   | Schwarzwert    | 0-10   | /                                |
|                   | Schärfe        | 0-4  | /                                |
|                   | DCR            | Aus/Ein  | DCR-Funktion ein-/ ausschalten   |
|                   | Bildverhältnis | Automatisch, 16:9, 4:3                               | Festlegen der Seitenverhältnisse |
|                   | HDR            | Aus/Ein  | HDR-Funktion ein-/ ausschalten   |
| Farbeinstellungen | Bild-Modus     | Energy Star/Standard/ Film/Büro/FPS/RTS/ RENNEN/SRGB | SWählen Sie den Bildmodus        |
|                   | Skala          | Aus/1,8/2,0/2,2/2,4                                  |                                  |
|                   | Low-Blue-Modus | Aus/Schwach/Mittel/ Stark                            | Low-Blue-Display anpassen        |
|                   | Farbtemperatur | Warm/Benutzer/Kühl/ Normal                           | Farbtemperatur anpassen          |
|                   | Rot            | 0-100  | Anpassen von RGB-Komponenten     |
|                   | Grün           | 0-100  |                                  |
|                   | Blau           | 0-100  |                                  |

| Menü                | Untermenü                    | Optionen   | Beschreibung                                 |
|---------------------|------------------------------|--|--|
| Sound-Einstellungen | Volumen                      | 0-100  | Anpassen der Lautstärke                      |
|                     | Stumm                        | Aus/Ein  | /  |
| Spielmodus          | Adaptive-Sync                | Aus/Ein  | /  |
|                     | Antwortzeit                  | Aus/Schnell/Extrem   | /  |
|                     | MPRT                         | Aus/Ein  | /  |
|                     | Fadenkreuz                   | Aus/Symbol 1/Symbol 2/Symbol 3/Symbol 4  | /  |
|                     | Zeitschaltuhr                | Aus/15:00/30:00/45:00/60:00  | /  |
|                     | Aktualisierungsrate          | Aus/Oben links/Oben rechts/Unten links/Unten rechts  | /  |
| Eingangsquelle      | Auto                         | Aus/Ein  | /  |
|                     | Eingangsauswahl              | HDMI/DP  | Anzeigen der Eingabeauswahl                  |
| OSD-Einstellung     | Sprache                      | Magyar, Polski, Nederlands, Español, Čeština, Italienisch, English, Français, Slovensčina, Englisch, Português, Românesc, Български, | OSD-Sprache einstellen                       |
|                     | H-Stellung                   | 0-100  | Horizontale Position anpassen                |
|                     | V-Stellung                   | 0-100  | Vertikal anpassen                            |
|                     | Zeitüberschreitung           | 0-60   | Legen Sie fest, wie lange das OSD verbleibt. |
|                     | Transparenz                  | 0-100  | OSD-Transparenzwert anpassen                 |
|                     | DDC/CI                       | Aus/Ein  | /  |
|                     | Automatisches Herunterfahren | Aus/Ein  | /  |
|                     | Zurücksetzen                 | N/A  | Zurücksetzen der Monitorkonfiguration        |

## Andere

Plug-and-Play-Funktionen:

- Dieser Monitor kann auf jedem kompatiblen Plug-and-Play-System installiert werden.
- Die Interaktion zwischen dem Monitor und dem Computersystem sorgt für optimale Betriebsbedingungen und Monitoreinstellungen.
- In den meisten Fällen erfolgt die Installation des Monitors automatisch, es sei denn, der Benutzer wählt eine andere Einstellung aus.
- Akzeptierte tote Pixel:
- Die Anzeige dieses Produkts erfolgt unter Verwendung eines fortschrittlichen Halbleiterprozesses mit einer Genauigkeit von über 1 ppm (parts per million).
- Aber einige Pixel können bei der Anzeige von Rot, Grün, Blau oder Weiß zu hell oder schwarz sein. Das ist keine schlechte Qualität, bitte zögern Sie nicht, sie zu verwenden!
- Bei diesem Gerät handelt es sich um ein IT-Gerät der Klasse B.
- Wenn sich der Blickwinkel des Benutzers auf den Bildschirm ändert, kann LED-Licht am Rand des Produktrahmens zu sehen sein, aber dieses Phänomen ist für den menschlichen Körper nicht schädlich und beeinträchtigt nicht die Eigenschaften und die Leistung des Produkts.

### Warnung

**Stellen Sie einen Monitor niemals an einem instabilen Ort auf. Ein Monitor kann herunterfallen und schwere Verletzungen oder den Tod verursachen. Viele Verletzungen, insbesondere bei Kindern, können durch einfache Vorsichtsmaßnahmen vermieden werden, wie zum Beispiel:**

- 1. Verwenden Sie nur vom Monitorhersteller empfohlene Ständer.**
- 2. Verwenden Sie nur Möbel, die den Monitor sicher tragen können.**
- 3. Achten Sie darauf, dass der Monitor nicht über die Kante des Stützmöbels hinausragt.**
- 4. Stellen Sie den Monitor nicht auf hohe Möbel (z. B. Schränke oder Bücherregale), ohne sowohl die Möbel als auch den Monitor an einem geeigneten Ständer zu befestigen.**
- 5. Stellen Sie den Monitor nicht auf Stoff oder andere Materialien, die sich zwischen dem Monitor und den tragenden Möbeln befinden können.**
- 6. Klären Sie Kinder über die Gefahren auf, auf Möbel zu klettern, um den Monitor oder seine Bedienelemente zu erreichen.**

**Wenn Sie Ihren Monitor verschieben wollen, sollten die gleichen Vorsichtsmaßnahmen wie oben beschrieben gelten. Schrauben für die Wandbefestigung: 22–24 Zoll M4 × 10 mm, 28–70 Zoll M6 × 10 mm, 75 Zoll M8 × 10 mm Hinweis: Nicht schräg aufhängen, um die Gefahr eines Herunterfallens zu vermeiden.**

**Anmerkung: Bei Verwendung einer Wandhalterung darf die Installationshöhe 2 m nicht überschreiten.**

## Hilfe

Schwarzer Bildschirm wird angezeigt/Das Produkt kann nicht eingeschaltet werden:

1. Bitte überprüfen Sie, ob das Netzteil richtig angeschlossen ist.
2. Bitte prüfen Sie, ob das Netzteil normalerweise an die 100–240 V AC Steckdose angeschlossen ist.
3. Bitte überprüfen Sie, ob die Informationen zum Signalerkennungskabel auf dem Bildschirm angezeigt werden und überprüfen Sie die Kabelverbindung zwischen dem PC und diesem Produkt.
4. Bitte prüfen Sie, ob das HDMI-Kabel für den Anschluss verwendet wird, wenn Sie das HDMI-Kabel anschließen, nachdem der PC gestartet wurde. Oder trennen Sie das HDMI-Kabel und schließen Sie es wieder an, während Sie den PC verwenden. Der Bildschirm zeigt möglicherweise kein Bild an, da einige Grafikkarten kein Signal ausgeben können. In diesem Fall starten Sie bitte den PC neu, nachdem Sie das HDMI-Kabel angeschlossen haben.

## Lizenz

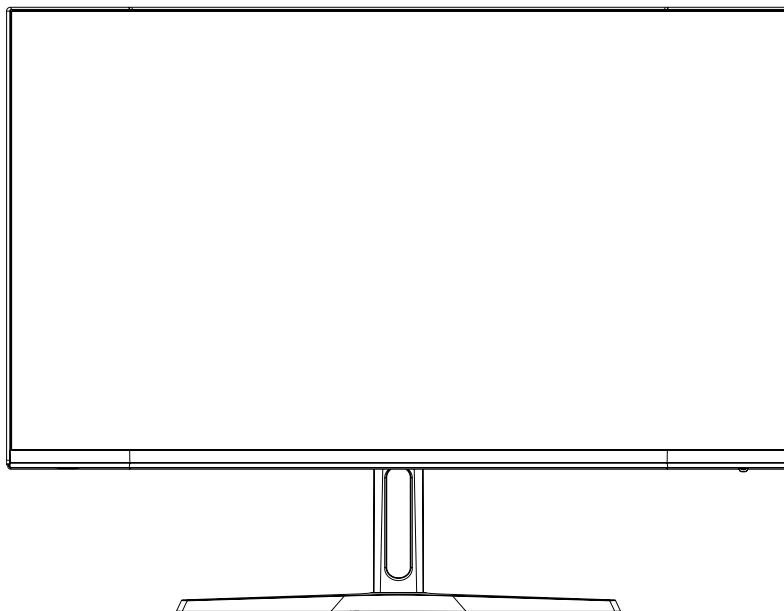


Die Begriffe HDMI und High-Definition Multimedia Interface HDMI und das HDMI-Logo sind Marken oder eingetragene Marken von HDMI License LLC in den USA und anderen Ländern.



# *PcCom*

## **Manual de l'usuari**



### **Monitor de joc 27"**

VA FHD 180Hz Adaptive Sync Curva

### **PCC-27180VA-CV**

Abans d'utilitzar aquesta màquina, llegiu atentament aquest manual i conserveu-lo per a futures consultes. El color i l'aspecte poden variar segons el model específic del producte. Les especificacions estan subjectes a canvis per millorar el rendiment sense previ avís.



Taula de continguts

---

Avís Instruccions de seguretat importants ..... 59

ACCESSORIS..... 61

Instal·lació de la base ..... 61

Ajustar l'angle ..... 61

Connexió de cables..... 62

Tauler de control ..... 62

Ús del menú OSD..... 63

Altres..... 65

Ajuda..... 65

Llicència..... 65

## AVÍS Instruccions de seguretat importants



**AVÍS**



### RISC DE DESCÀRREGA ELÈCTRICA, NO OBRIR

Precaució: Per a reduir el risc de descàrregues elèctriques, no retireu la tapa.

No hi ha peces reparables per l'usuari a l'interior. Assegureu-vos que les reparacions les duu a terme el personal de manteniment.



Aquest símbol indica una tensió excessivament alta a l'interior. Qualsevol mena de contacte amb qualsevol peça a l'interior del producte és perillosa.



Aquest símbol us recorda les instruccions importants que inclouen el funcionament i el manteniment d'aquest producte.

- Les ranures i orificis al xassís i a la part posterior i inferior estan dissenyats per proporcionar la ventilació necessària.
- No bloquegeu ni cobriu aquestes ranures i orificis per garantir el funcionament d'aquesta màquina i evitar que se sobreescalfi.
- No cobriu les ranures i orificis amb tela o altres materials.
- No col·loqueu la màquina sobre llits, sofàs, catifes o altres superfícies similars per evitar l'obstrucció d'aquestes ranures i orificis. No col·loqueu aquesta màquina en espais restringits (per exemple, prestatgeries o armaris encastats) a menys que hi hagi una ventilació adequada. S'ha de mantenir un buit de 10 cm entre el producte i la paret.
- No col·loqueu aquesta màquina a prop ni sobre escalfadors o radiadors elèctrics, ni en llocs exposats a la llum solar directa.
- No col·loqueu objectes que generin calor (com ara espelmes, cendrers, encens, gasos inflamables o substàncies explosives, etc.) a prop del producte.
- No col·loqueu recipients plens d'aigua sobre aquesta màquina, ja que podria provocar un perill d'incendi o descàrregues elèctriques.
- No exposeu el producte a substàncies olioses o agents químics, ja que podria provocar la corrosió de la carcassa del producte.
- No exposeu aquesta màquina a la pluja ni la col·loqueu a prop de l'aigua (com ara a prop d'una banyera, pica de bany, cuina o bugaderia, en un soterrani humit o a prop d'una piscina).
- Si la màquina es mulla accidentalment, desconnecteu immediatament el cable d'alimentació o l'adaptador de corrent i, a continuació, poseu-vos en contacte amb un distribuïdor autoritzat per rebre assistència.
- Quan netegeu el monitor, assegureu-vos d'utilitzar un drap sec i suau que no contingui substàncies volàtils. Abans de netejar-lo, assegureu-vos de desconnectar el cable d'alimentació o l'adaptador de corrent.
- No sobre carregueu els endolls de paret, els cables d'extensió o els endolls integrats, ja que pot provocar incendis o descàrregues elèctriques.
- El cable d'alimentació o l'adaptador de corrent s'ha de situar on no pugui ser trepitjat ni premut per objectes a sobre o al costat. També cal prestar especial atenció als cables de l'endoll, als endolls integrats i a la presa de corrent de la màquina.
- Per tal de protegir millor aquesta màquina durant les tempestes amb llamps o quan quedí desatasa o sense utilitzar durant llargs períodes, desconnecteu el cable d'alimentació o l'adaptador de corrent i desconnecteu el sistema de cables.
- Així, s'eviten danys a la màquina durant una tempesta de llamps o en cas de sobretensió a la línia elèctrica.
- Abans de connectar el cable d'alimentació de CA a l'adaptador de corrent o a la interfície d'alimentació del monitor (segons la versió del producte real), assegureu-vos que la vostra font d'alimentació local compleixi els requisits de l'adaptador de corrent o la tensió d'entrada del monitor. \* Assegureu-vos de no introduir cap objecte metàl·lic als orificis d'aquesta màquina. En cas contrari, podria provocar un perill de descàrrega elèctrica.
- No toqueu l'interior d'aquesta màquina per evitar descàrregues elèctriques. Només els tècnics qualificats poden obrir la tapa d'aquesta màquina.
- Assegureu-vos que l'endoll del cable d'alimentació o l'adaptador de corrent es pugui introduir de manera segura a la presa de corrent. Quan desconnecteu el cable d'alimentació, assegureu-vos d'agafar fermament l'endoll o l'adaptador de corrent i desconnecteu-lo de la presa de corrent.
- No toqueu el cable d'alimentació ni l'adaptador de corrent amb les mans mullades.
- Si la màquina no funciona amb normalitat, especialment si emet un so o una olor inusuals, desconnecteu la presa de corrent immediatament i poseu-vos en contacte amb un distribuïdor autoritzat o centre de servei per rebre assistència.

## AVÍS Instruccions de seguretat importants

- Si teniu previst no utilitzar el monitor durant un període de temps prolongat o si estareu fora de casa (sobretot si hi ha nens, persones grans o persones amb discapacitat que es queden soles), assegureu-vos de desconnectar l'endoll o l'adaptador de corrent de la presa.
- La pols acumulada pot provocar espurnes i escalfament del cable d'alimentació o de l'adaptador de corrent, o deteriorar-ne l'aïllament, la qual cosa pot provocar descàrregues elèctriques, fugites o incendis.
- Després de moure el monitor d'un lloc amb la temperatura baixa a una zona càlida, cal deixar-lo reposar durant un temps abans d'engegar-lo per permetre que la condensació a l'interior del monitor es dissipï i s'assequi completament.
- La tensió de la font d'alimentació s'indica a la part posterior del monitor: DC 12 V.
- Si teniu previst instal·lar aquest producte en entorns amb pols, temperatures altes o baixes, alta humitat, que contenen productes químics o llocs d'ús continuat les 24 hores (com ara aeroports o estacions de tren), assegureu-vos de posar-vos en contacte amb un centre de servei autoritzat per rebre assistència. En cas contrari, el monitor es pot danyar greument.
- Assegureu-vos d'utilitzar només endolls i preses que estiguin correctament connectats a terra. Una mala connexió a terra pot provocar descàrregues elèctriques o danys a l'equip (només per a equips de classe I).
- Per desconnectar l'alimentació del dispositiu, cal desconnectar l'endoll del cable d'alimentació o de l'adaptador de corrent de la màquina. Per tant, l'endoll del cable d'alimentació o de l'adaptador de corrent han de ser fàcilment accessibles.
- Els nens tenen prohibit pujar a aquest producte.
- Mantingueu els accessoris fora de l'abast dels nens.
- No instal·leu aquest producte en un lloc inestable, com ara un prestatge trontollant, un terra inclinat o un lloc subjecte a vibracions externes.
- No deixeu caure el producte ni el sotmeteu a cops. Si el producte està danyat, desconnecteu la font d'alimentació i poseu-vos en contacte amb el centre de servei de manera oportuna per rebre assistència.

### PRECAUCIÓ

- Risc d'explosió si la bateria se substitueix per un tipus incorrecte.
- Substitució d'una bateria per un tipus incorrecte que pot comprometre una protecció (per exemple, en el cas de determinats tipus de bateries de liti);
- Eliminació d'una bateria en foc o forn calent, o aixafament o tall mecànic d'una bateria, que pot provocar una explosió; \* deixar una bateria en un entorn de temperatures extremadament altes que pot provocar una explosió o la fuga de líquid o gas inflamable;
- Una bateria sotmesa a una pressió d'aire extremadament baixa que pot provocar una explosió o la fuga de líquid o gas inflamable.



### RECICLATGE

Aquest producte porta el símbol de classificació selectiva per a residus d'aparells elèctrics i electrònics (RAEE). Això vol dir que aquest producte s'ha de manipular segons la directiva europea 2012/19/UE per tal de poder reciclar-lo o desmuntar-lo, minimitzant així el seu impacte en el medi ambient.

L'usuari té l'opció de lliurar el seu producte a una organització de reciclatge competent o al minorista en comprar un nou equip elèctric o electrònic.

Especificacions tècniques:

Temperatura de funcionament: -10 °C ~ 35 °C

Aquest equip compleix amb els límits d'exposició a la radiació establerts per a un entorn no controlat.

Cal instal·lar i operar aquest equip amb una distància mínima de 20 cm entre el radiador i el cos.

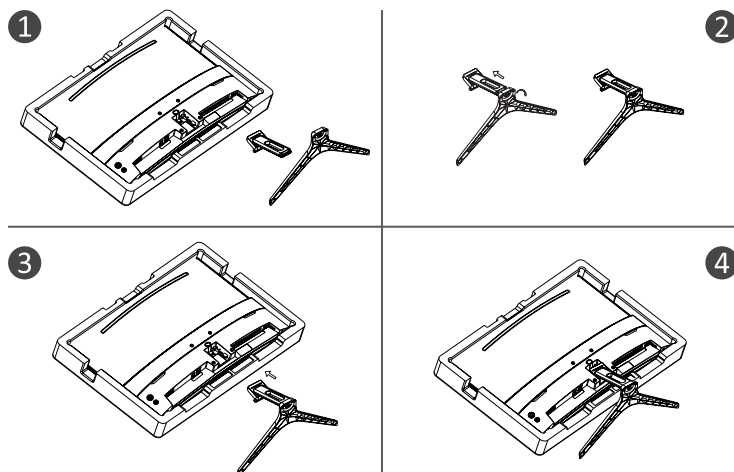
## Accessoris

- Comproveu que totes les peces del vostre monitor estan incloses. Si falta qualsevol peça, contacteu amb el vostre distribuïdor de manera oportuna.
- El color i la forma de les peces poden variar segons el model.
- Els cables subministrats poden variar segons el producte adquirit.

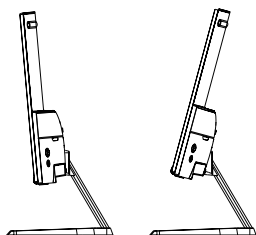
|               |                    |   |
|---------------|--------------------|---|
| <b>Manual</b> | Guia d'inici ràpid | Targeta de garantia   |
| <b>Cable</b>  | Cable HDMI         | Només s'aplica als monitors amb ports HDMI.<br>No tots els models inclouen un cable HDMI. Podeu comprar aquest accessori per separat. |
| <b>Altres</b> | Adaptador          |   |

## Instal·lació de la base

(\*Les funcions del monitor poden variar segons el model; prevaldrà el producte real)



## Ajustar l'angle






1. Els dibuixos són només de referència; consulteu el monitor real.
2. L'angle de la pantalla es pot ajustar 5° cap endavant i 15° cap enrere per a la vostra comoditat.
3. Aneu amb compte de no tocar ni prémer l'àrea de la pantalla mentre ajusteu l'angle del monitor.

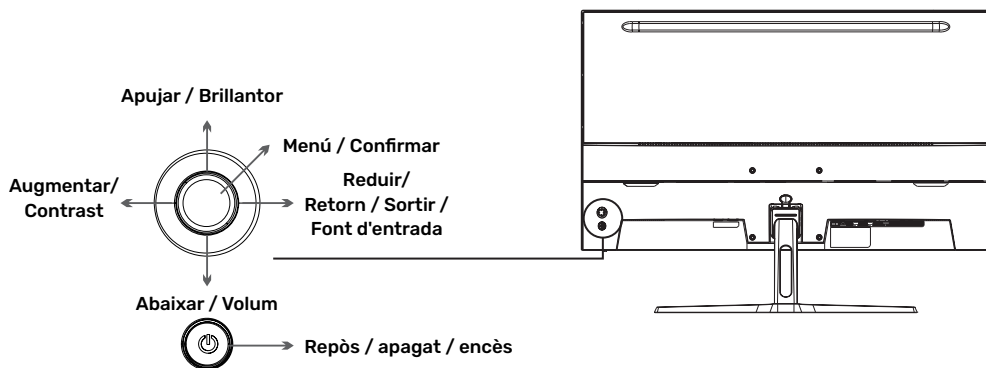
## Connexió de cables

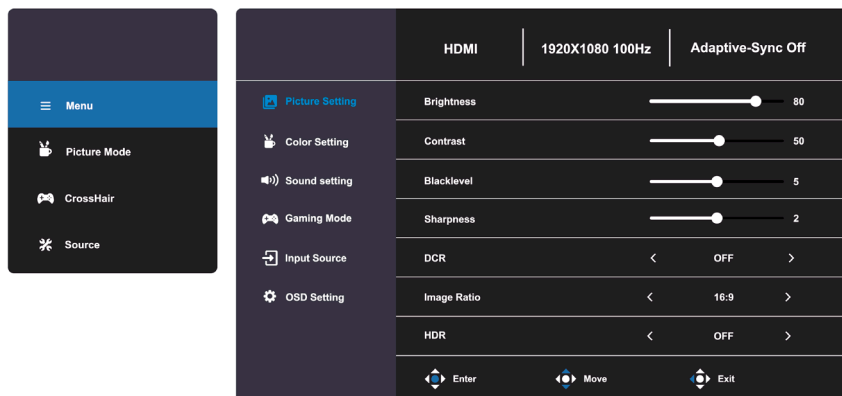
La informació de configuració a la part posterior del monitor varia segons el model de producte. Llegiu el contingut següent abans de connectar el producte.

1. Abans de connectar el producte, assegureu-vos de revisar els dos ports del cable de senyal subministrat, així com la forma i la posició dels ports del producte i dels dispositius externs.
2. Abans de connectar el producte, assegureu-vos de treure el cable d'alimentació o l'adaptador de corrent del producte i dels dispositius externs per evitar danys al producte a causa de curtcircuits o sobrecorrent.
3. Després que tots els cables de senyal estiguin connectats correctament, torneu a connectar el cable d'alimentació o l'adaptador al producte i als dispositius externs.
4. Un cop completada la connexió, assegureu-vos de llegir el manual per familiaritzar-vos amb les característiques del producte, les precaucions i altra informació necessària per utilitzar el producte correctament.

|  |   |  |   |
|--|---|--|---|
|  <p><b>HDMI</b></p> | <p>Utilitzeu un cable HDMI per connectar el port HDMI del producte al port HDMI OUT de l'ordinador.</p> |  <p><b>EARPHONE</b></p> | <p>EARPHONE OUT: Utilitzeu un endoll d'auriculars per connectar-lo a la presa EARPHONE OUT.</p>   |
|  <p><b>DP</b></p>   | <p>Connecteu el cable DP del LED al port anomenat DP IN a la part posterior del monitor LED.</p>        | <p><b>DC IN</b></p>  | <p>Utilitzeu l'adaptador per accedir al port. La font d'alimentació d'aquesta interfície només admet DC 12 V; utilitzeu l'adaptador corresponent per accedir-hi. Consulteu amb el centre de servei autoritzat si teniu un adaptador diferent de l'original.</p> |

## Tauler de control





1. Per accedir al menú OSD, premeu el botó central cap avall.
2. Premeu les teclcs amunt/avall per desplaçar-vos entre les opcions de configuració, ajusteu-les amb les teclcs esquerra i dreta, i premeu la tecla central cap avall per confirmar.
3. Per tornar al menú anterior i seleccionar un element de menú, premeu el botó de l'esquerra.
4. Per sortir del menú OSD, premeu el botó de l'esquerra fins que sortiu.

| Menú                      | Submenú               | Opcions  | Descripció                           |
|---------------------------|-----------------------|--|--------------------------------------|
| Configuració de la imatge | Brillantor            | 0-100  | Ajustar la brillantor de la pantalla |
|                           | Contrast              | 0-100  | Ajustar contrast de la pantalla      |
|                           | Nivell de negre       | 0-10   | /                                    |
|                           | Agudesa               | 0-4  | /                                    |
|                           | DCR                   | Apagat / Encès   | Activar / desactivar la funció DCR   |
|                           | Relació d'imatge      | Automàtic, 16:9, 4:3   | Definir la relació d'aspecte         |
|                           | HDR                   | Apagat / Encès   | Activar / desactivar la funció HDR   |
| Configuració del color    | Mode d'imatge         | Energy Star / Estàndard / Pel·lícula / Oficina / FPS / RTS / Curses / SRGB | Trieu el mode d'imatge               |
|                           | Gamma                 | Apagat / 1.8 / 2.0 / 2.2 / 2.4   |                                      |
|                           | Mode blau baix        | Desactivat / Feble / Mitjà / Fort  | Ajustar visualització amb blau baix  |
|                           | Temperatura del color | Càlid / Usuari / Fred / Normal   | Ajustar la temperatura del color     |
|                           | Vermell               | 0-100  | Personalitzar els components RGB     |
|                           | Verd                  | 0-100  |                                      |
|                           | Blau                  | 0-100  |                                      |

## Ús del menú OSD

| Menú                  | Submenú             | Opcions  | Descripció                                 |
|-----------------------|---------------------|--|--|
| Configuració de so    | Volum               | 0-100  | Ajustar el volum de l'àudio                |
|                       | Silenciar           | Apagat / Encès   | /  |
| Mode de joc           | Sincronització      | Apagat / Encès   | /  |
|                       | adaptativa          | Apagat / Ràpid / Extrem  | /  |
|                       | Temps de resposta   | Apagat / Encès   | /  |
|                       | MPRT                | Desactivat / Icona 1 / Icona 2 / Icona 3 / Icona 4   | /  |
|                       | Punt de mira        | Apagat / 15:00 / 30:00 / 45:00 / 60:00   | /  |
|                       | Temporitzador       | Desconnectat / Dalt a l'esquerra / Dalt a la dreta / Baix a l'esquerra / Baix a la dreta   | /  |
| Font d'entrada        | Auto                | Apagat / Encès   | /  |
|                       | Selecció d'entrada  | HDMI / DP  | Visualitzar la selecció d'entrada          |
| Configuració de l'OSD | Llengua             | English, Magyar, Polski, Nederlands, Čeština, Italiano, Deutsch, Français, Slovensčina, Español, Português, Românesc, Български. | Definir la llengua de l'OSD                |
|                       | Posició H           | 0-100  | Ajustar la posició horitzontal             |
|                       | Posició V           | 0-100  | Ajustar la posició vertical                |
|                       | Temps d'inactivitat | 0-60   | Establir quant de temps roman l'OSD        |
|                       | Transparència       | 0-100  | Ajustar el valor de transparència de l'OSD |
|                       | DDC/CI              | Apagat / Encès   | /  |
|                       | Apagat automàtic    | Apagat / Encès   | /  |
|                       | Reiniciar           | N/A  | Restablir la configuració del monitor      |



## Altres

### Funcions *Plug and Play*:

- Aquest monitor es pot instal·lar en qualsevol sistema Plug and Play compatible.
- La interacció entre el monitor i el sistema informàtic proporciona configuracions del monitor i condicions de funcionament òptimes.
- En la majoria dels casos, la instal·lació del monitor serà automàtica, tret que l'usuari triï una altra configuració.
- Píxels morts acceptables:
- La pantalla d'aquest producte s'ha fabricat mitjançant un procés semiconductor avançat amb una precisió de més d'1 ppm (parts per milió).
- Tanmateix, alguns píxels poden aparèixer massa brillants o negres quan mostren el vermell, verd, blau o blanc. Això no indica una mala qualitat; podeu continuar utilitzant-lo!
- Aquest equip és un equip informàtic de classe B.
- A mesura que canvia l'angle de l'usuari que mira la pantalla, és possible veure llum LED a la vora del marc del producte, però aquest fenomen no és perjudicial per al cos humà ni afecta les característiques i el rendiment del producte.

### Avís

**No col·loqueu mai un monitor en un lloc inestable. El monitor pot caure i causar lesions personals greus o la mort. Moltes lesions, especialment als nens, es poden evitar prenent precaucions senzilles, com ara:**

1. Utilitzar suports recomanats pel fabricant del monitor.
2. Utilitzar només mobles que puguin suportar el monitor amb seguretat.
3. Assegurar-vos que el monitor no sobresurti de la vora dels mobles de suport.
4. No col·locar el monitor sobre mobles alts (per exemple, armaris o prestatgeries) sense fixar els mobles i el monitor a un suport adequat.
5. No col·locar el monitor sobre teixits o altres materials que puguin quedar entre el monitor i els mobles de suport.

6. Educar els nens sobre els perills de pujar als mobles per arribar al monitor o als seus controls.  
Si conserveu i canvieu de lloc el vostre monitor actual, cal aplicar les mateixes consideracions anteriors. Caragols per muntatge en paret: 22-24 polzades M4 x 10 mm, 28-70 polzades M6 x 10 mm, 75 polzades M8 x 10 mm Nota: No pengeu el monitor inclinat per evitar el risc de caiguda.

**Nota:** Quan utilitzeu un suport de muntatge a la paret, l'altura d'instal·lació no pot superar els 2 m.

## Ajuda

Apareix una pantalla negra / No podeu encendre el producte:

1. Comproveu si l'adaptador de corrent està connectat correctament.
2. Comproveu si l'adaptador de corrent està connectat correctament a la presa de corrent de 100-240 V CA.
3. Comproveu si la informació del cable de detecció de senyal es mostra a la pantalla; comproveu la connexió per cable entre l'ordinador i aquest producte.
4. Comproveu que s'estigui utilitzant el cable HDMI per a la connexió. Si connecteu el cable HDMI després d'iniciar l'ordinador, o si desconnecteu i torneu a connectar el cable HDMI mentre utilitzeu l'ordinador, la pantalla podria no mostrar una imatge perquè algunes targetes gràfiques no poden emetre un senyal. En aquest cas, reinicieu l'ordinador després de connectar el cable HDMI.

## Llicència



Els termes HDMI, interfície multimèdia d'alta definició (HDMI) i el logotip HDMI són marques comercials o marques registrades de HDMI License LLC als Estats Units i altres països.

